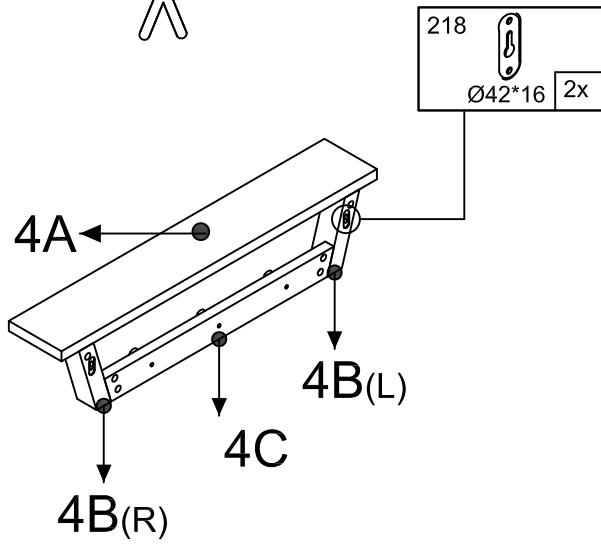
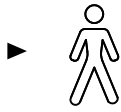


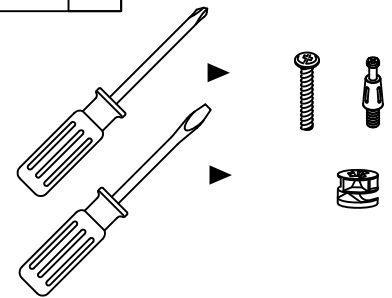
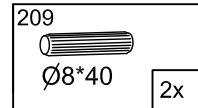
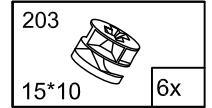
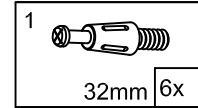
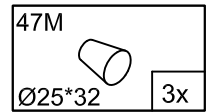
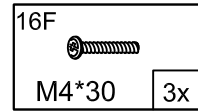
BEACH ISLAND CLAY

BIC4103: 4A,4B,4C,4K

10 min.

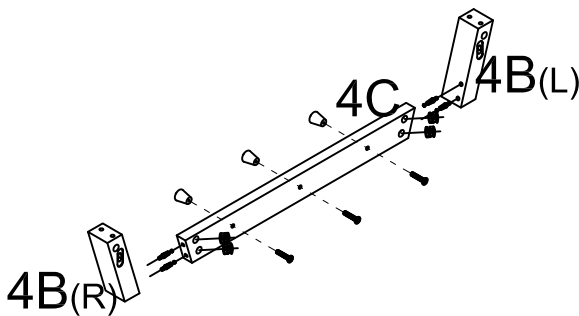


4K



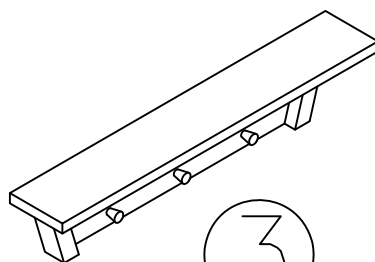
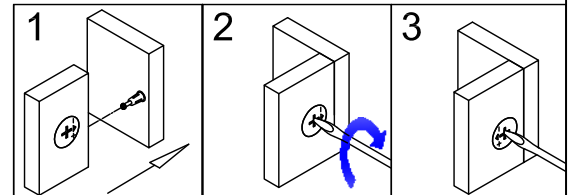
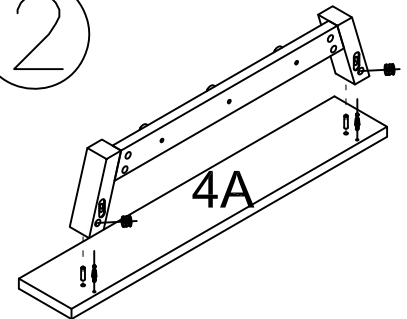
16F M4*30 3x	47M Ø25*32 3x	1 Ø15 32mm 6x	203 15*10 6x	209 Ø8*40 2x
--------------------	---------------------	------------------------	--------------------	--------------------

4A
4B
4C



1

2



3