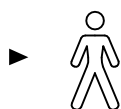


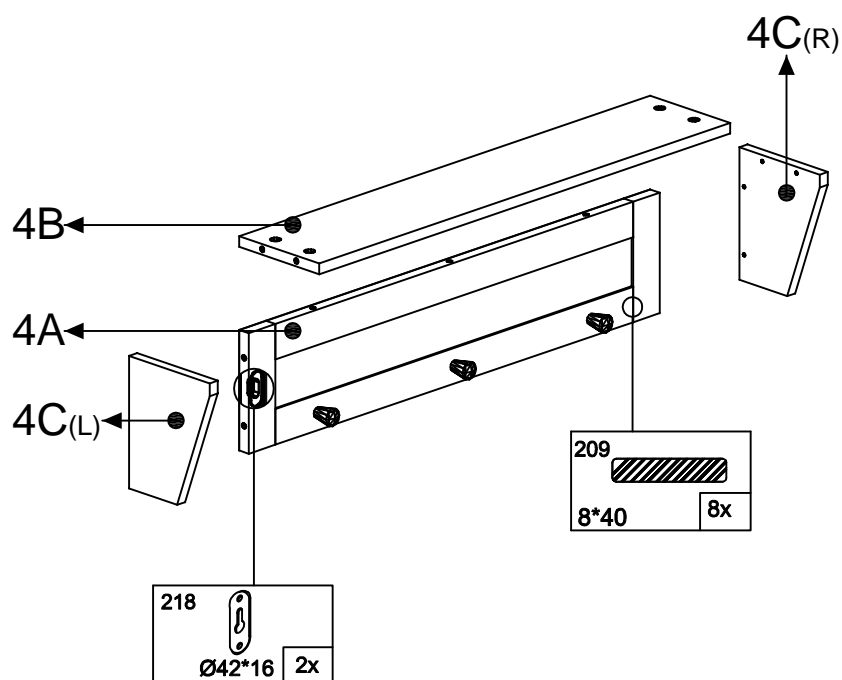
# TAMPERE




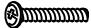

15 min.

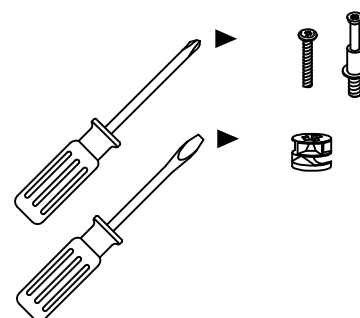
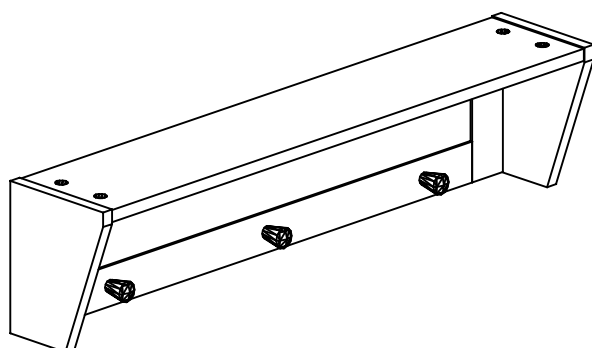


TAM4160:4A,4B,4C,4W

4W

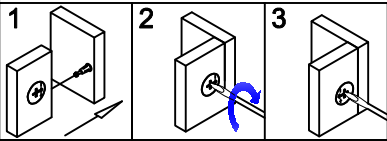
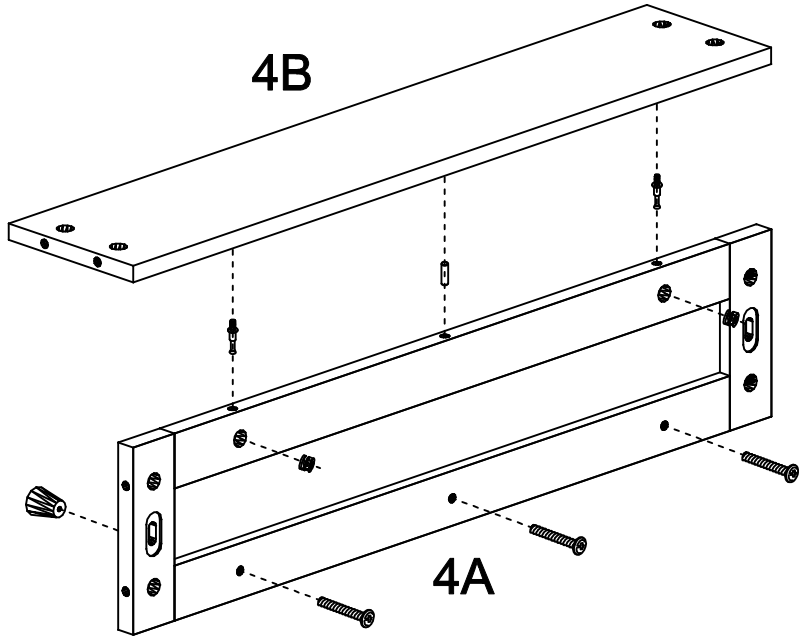


203  15*10 10x	202  Ø8*30 1x
1D  Ø15 35mm 10x	16B  M4*25 3x
47M  3x	



203 15*10 2x	1D Ø15 35mm 2x	202 Ø8*30 1x	16B M4*25 3x	47M 3x
--------------------	-------------------------	--------------------	--------------------	-----------

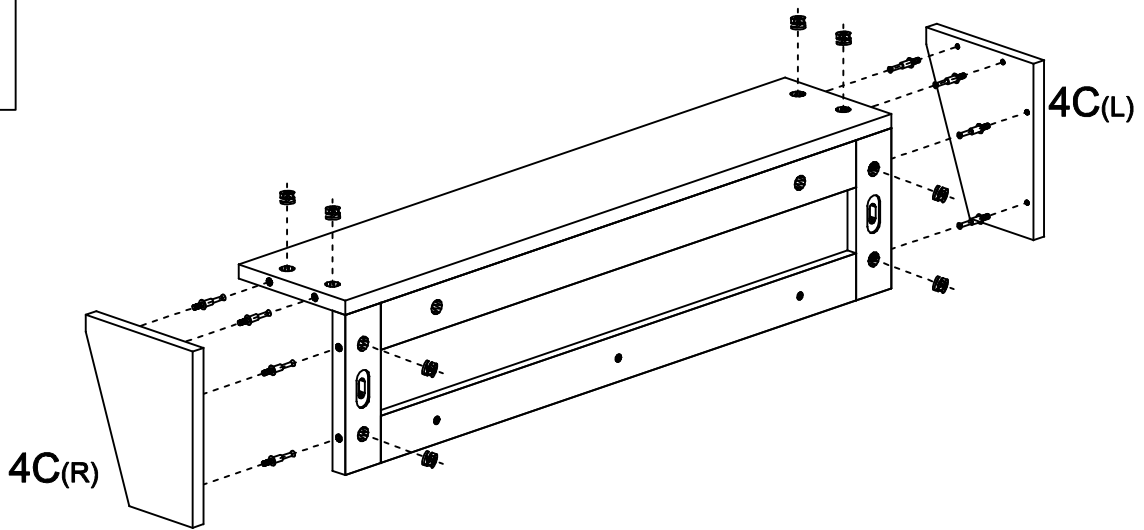
4A  
4B



1

203 15*10 8x	1D Ø15 35mm 8x
--------------------	-------------------------

4C(L)  
4C(R)



2