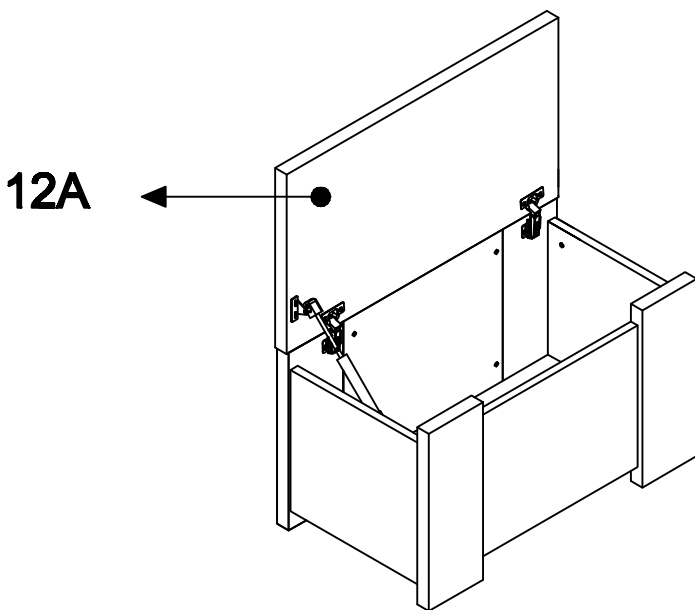
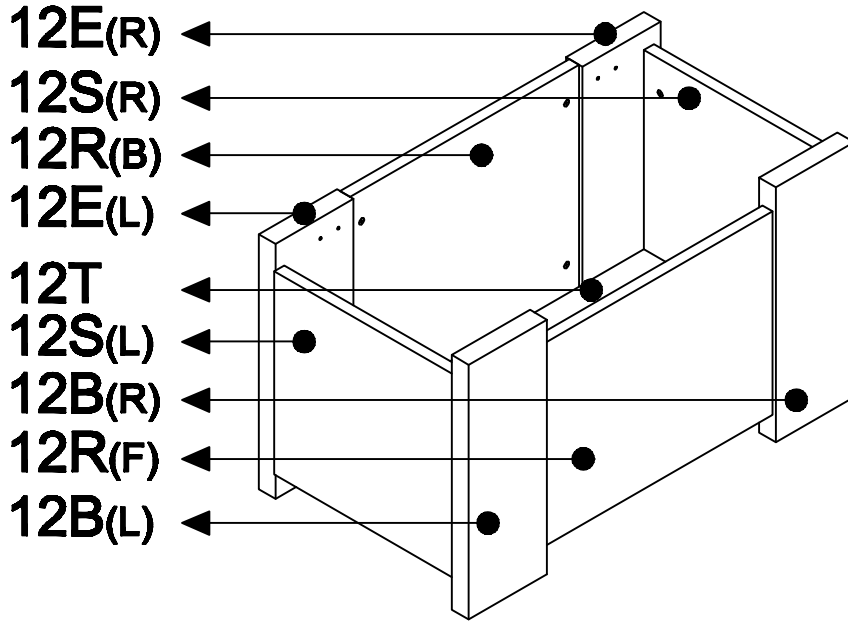
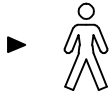


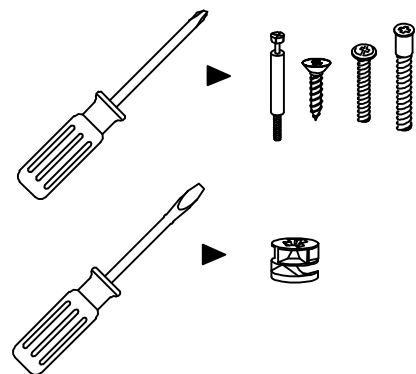
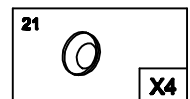
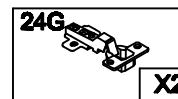
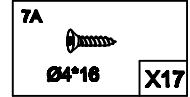
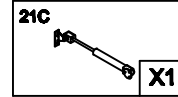
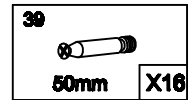
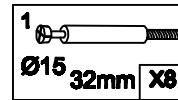
CAMBRIDGE

20min.



**CAM12142:12A,12E,12B,
12S,12T,12R,12C,12K**

12K



39



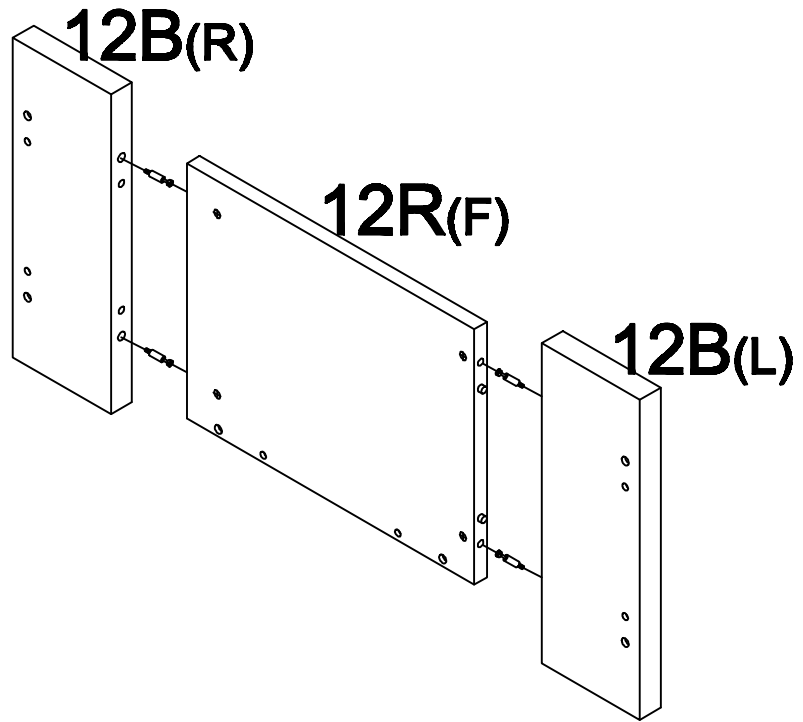
50mm

X4

12B(R)

12B(L)

12R(F)



1

39



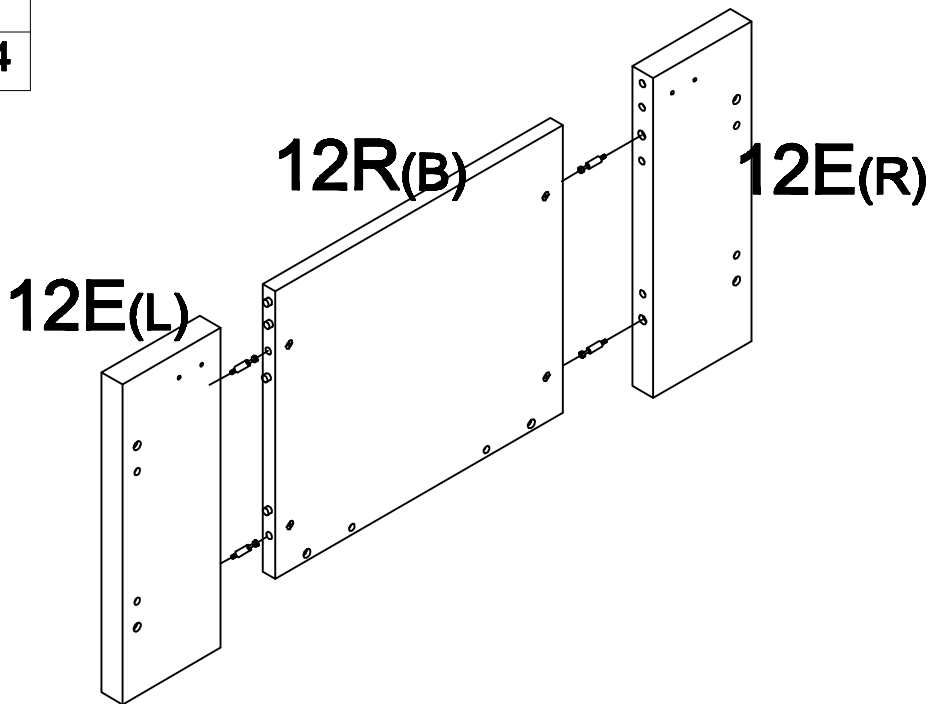
50mm

X4

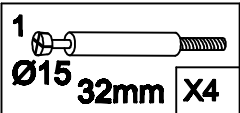
12E(R)

12E(L)

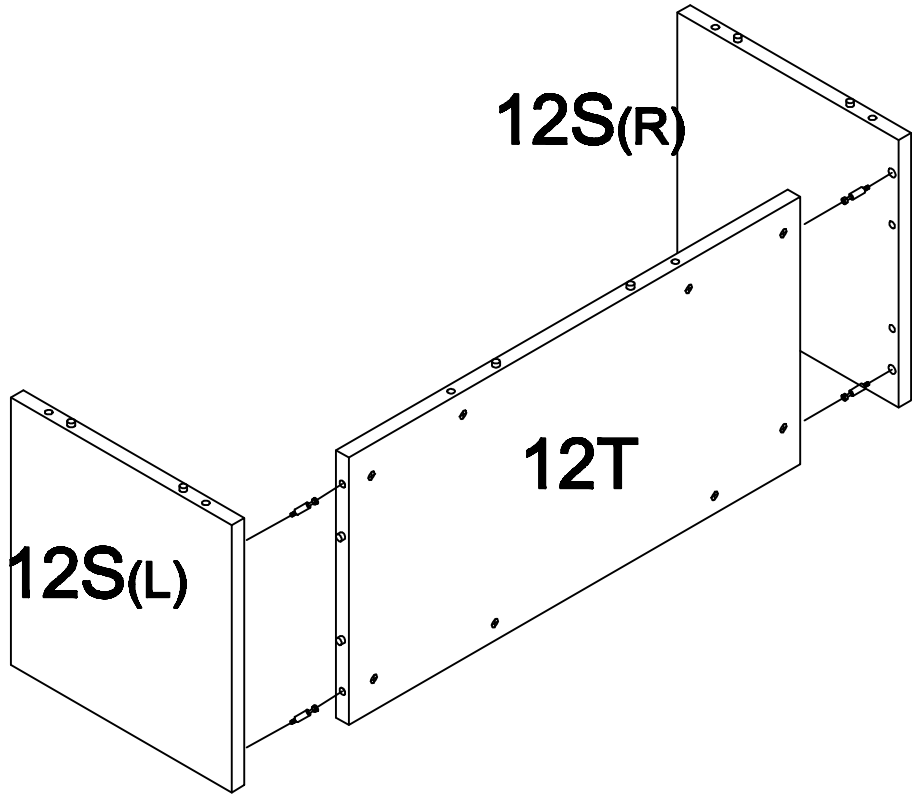
12R(B)



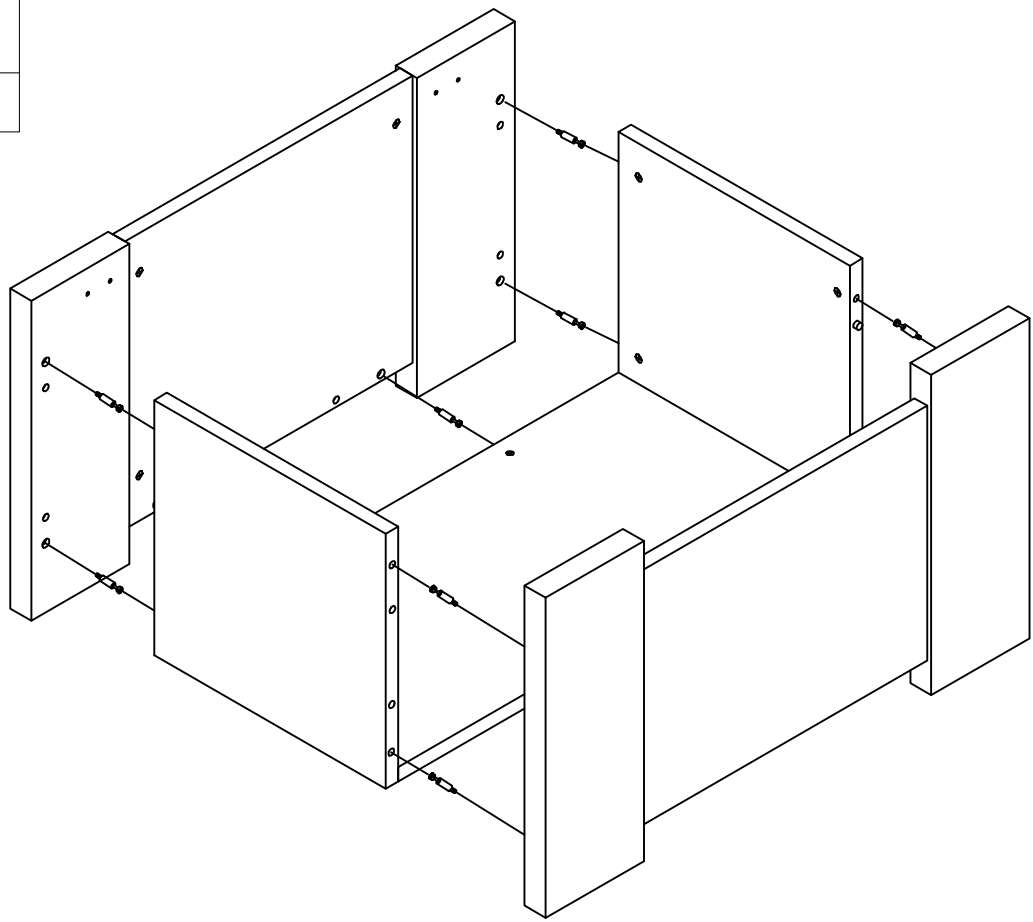
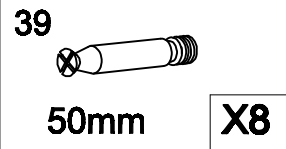
2



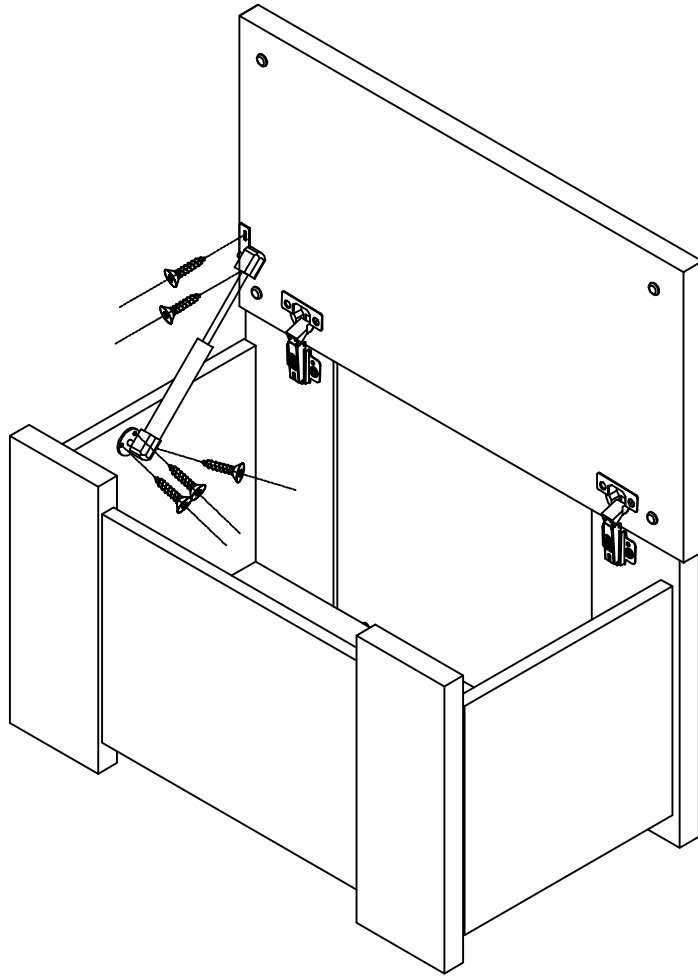
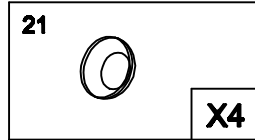
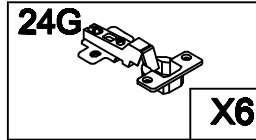
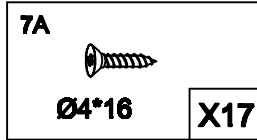
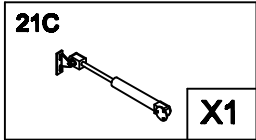
12S(L)
12S(R)
12T



3



4



5

6

