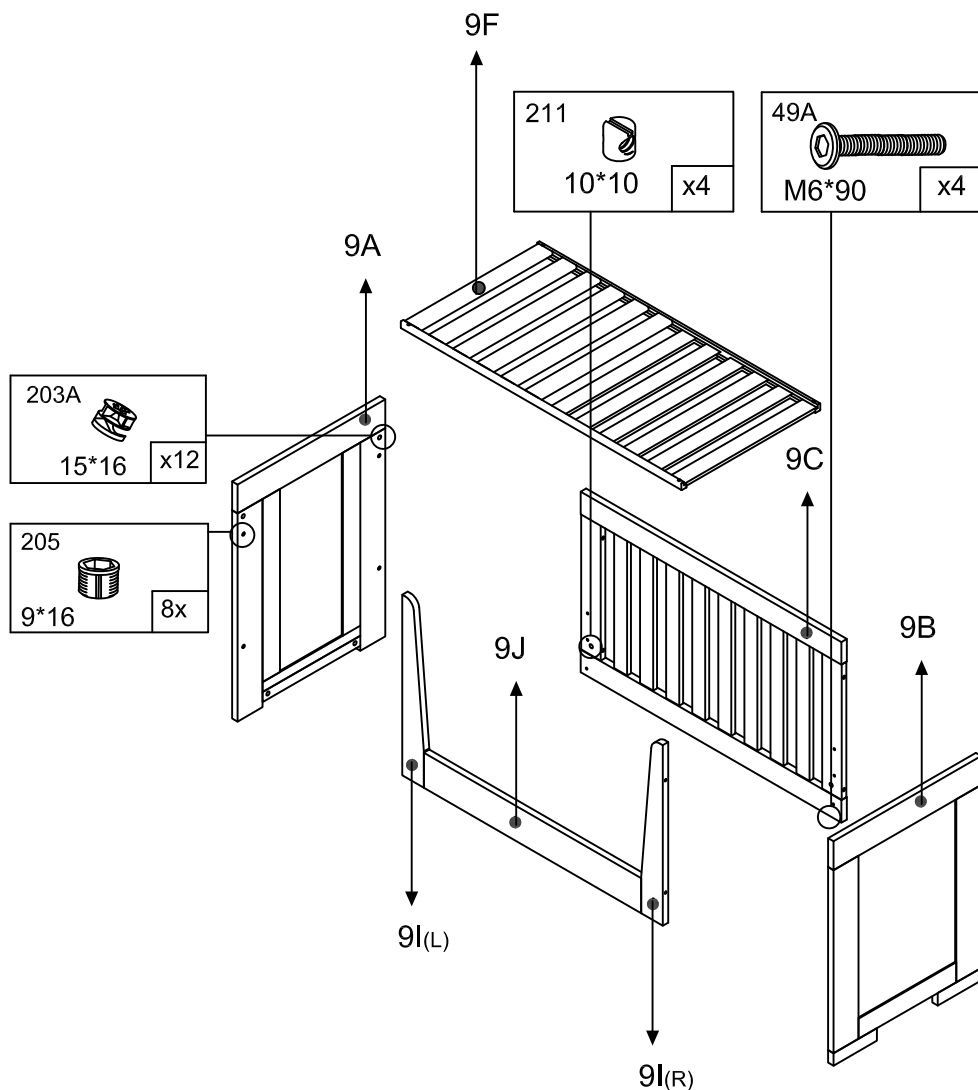
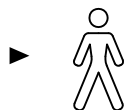
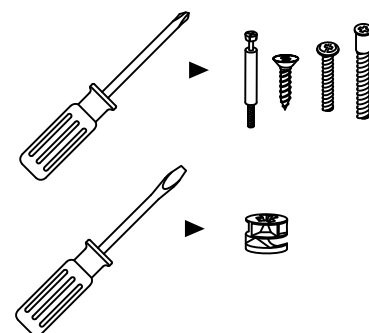


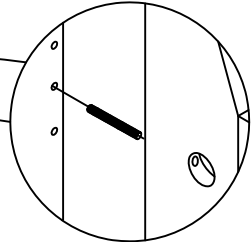
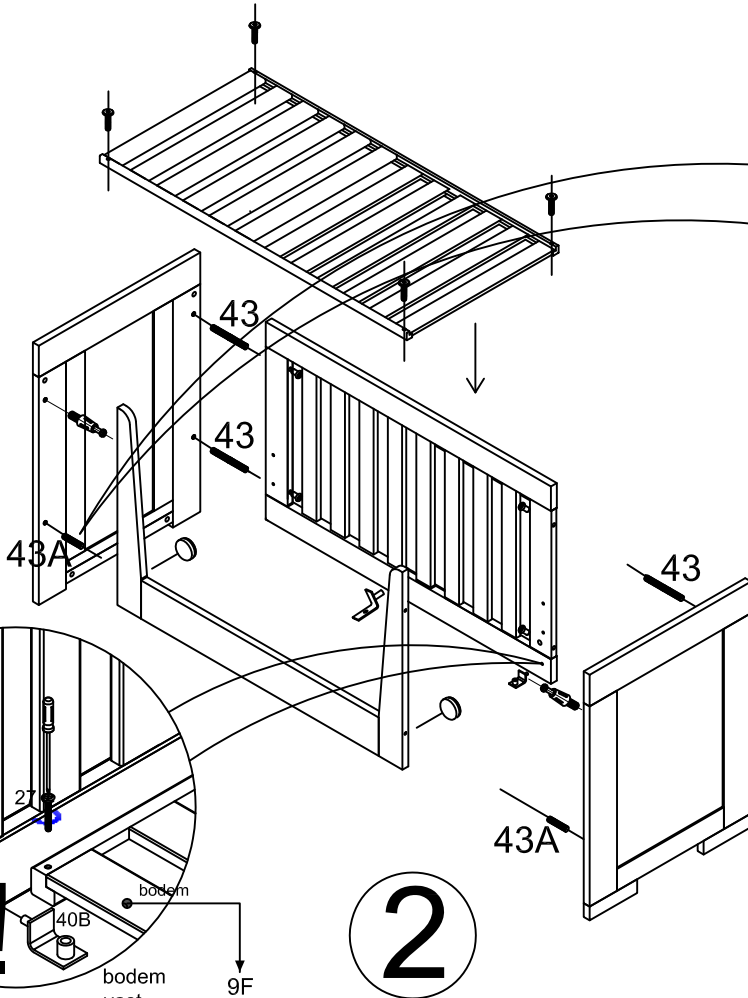
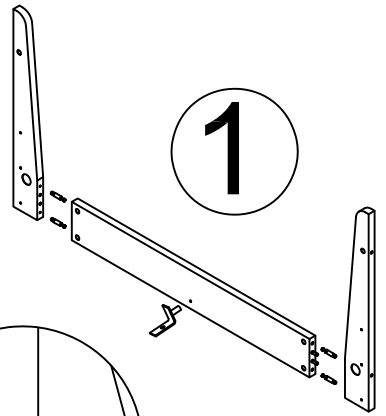
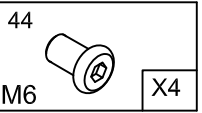
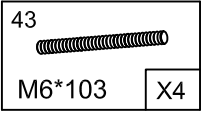
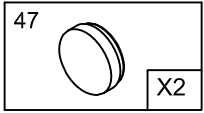
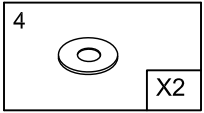
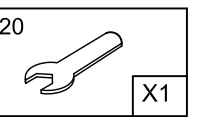
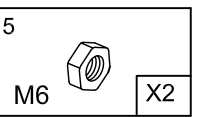
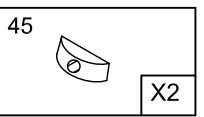
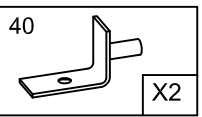
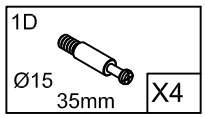
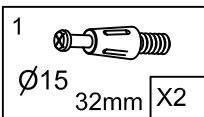
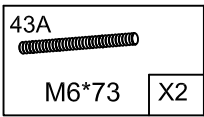
20 min.



9P

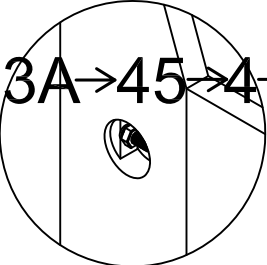
- 43A M6*73 X2
- 1 Ø15 32mm X2
- 1D Ø15 35mm X4
- 40 X2
- 45 X2
- 5 M6 X2
- 20 X1
- 4 X2
- 47 X2



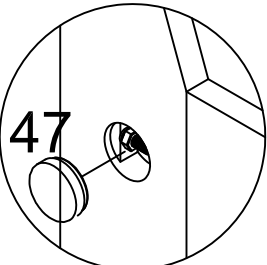


1

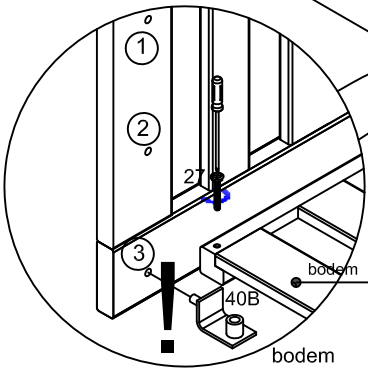
43A → 45 → 4 → 5



2



3



bodem
vast-
schroeven!