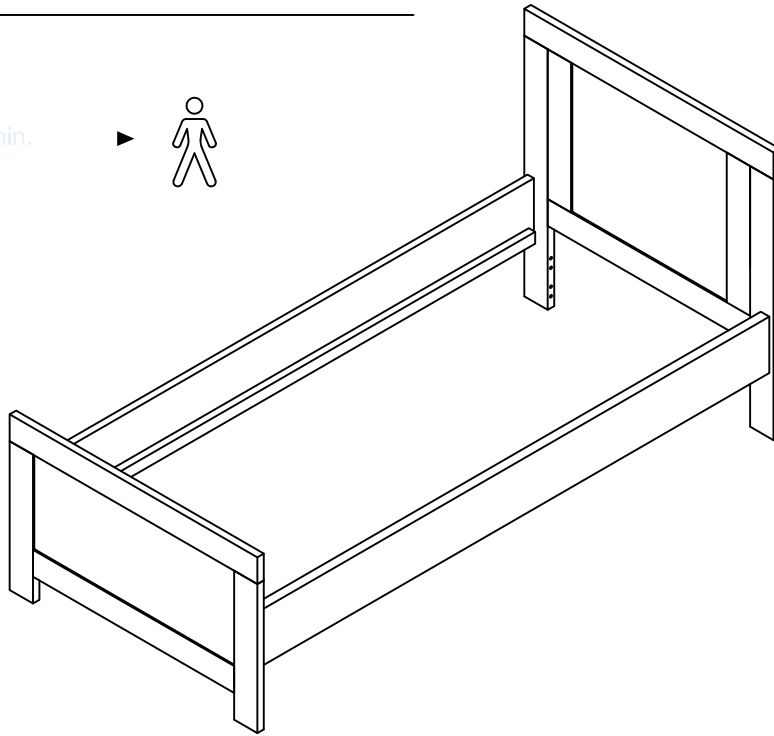
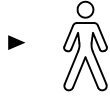


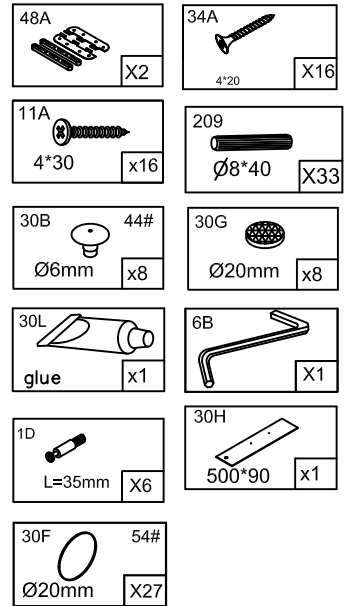
MONTANA

60 min.

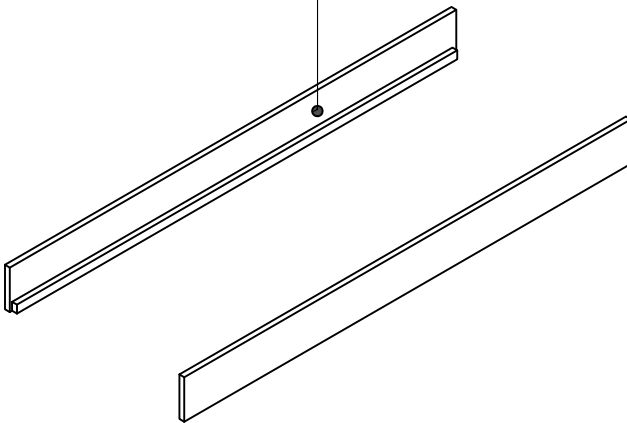


MTA9354: 9T,9H

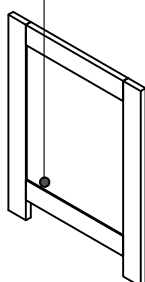
9H



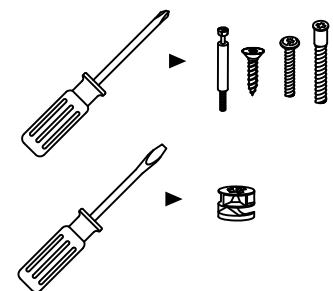
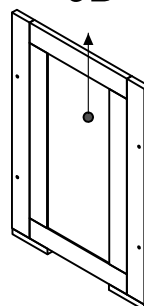
9T(x2)

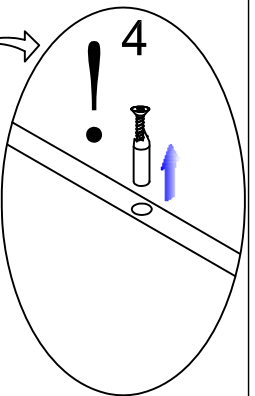
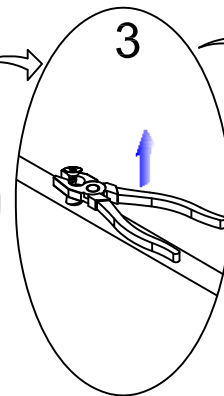
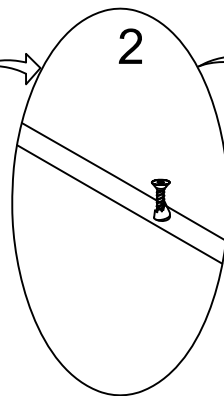
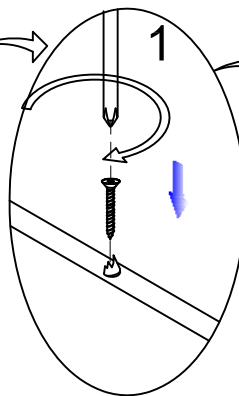
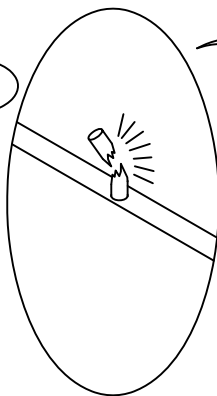
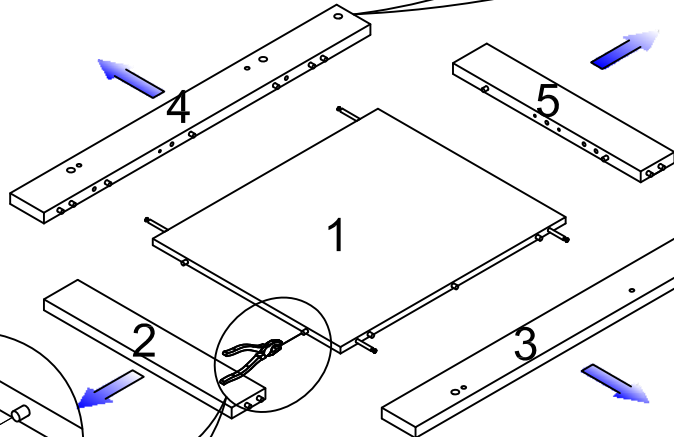
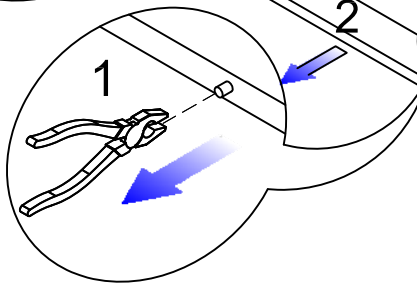
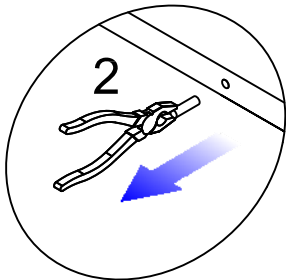
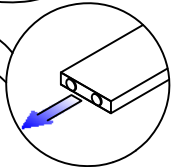
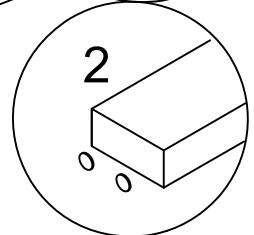
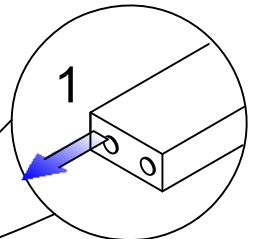
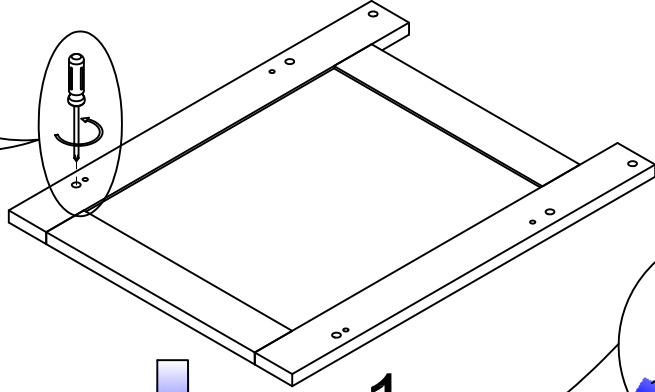
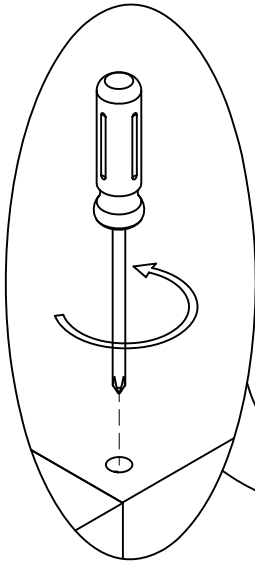
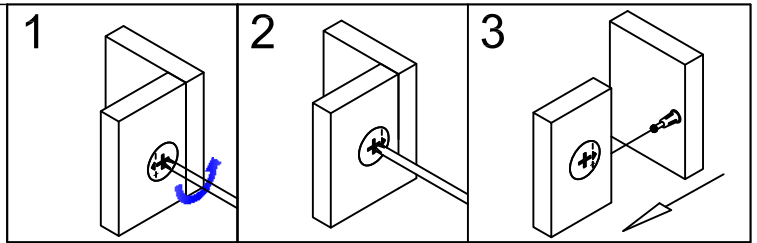


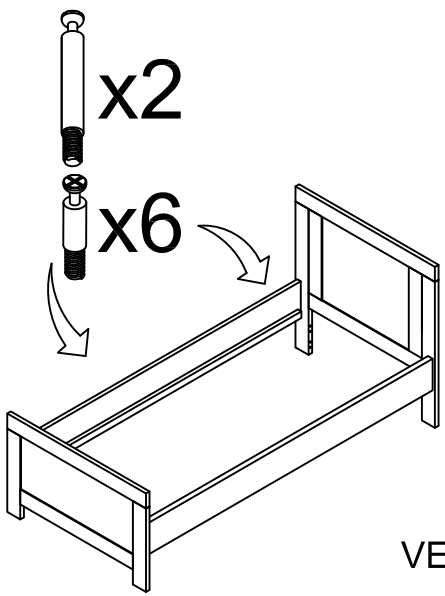
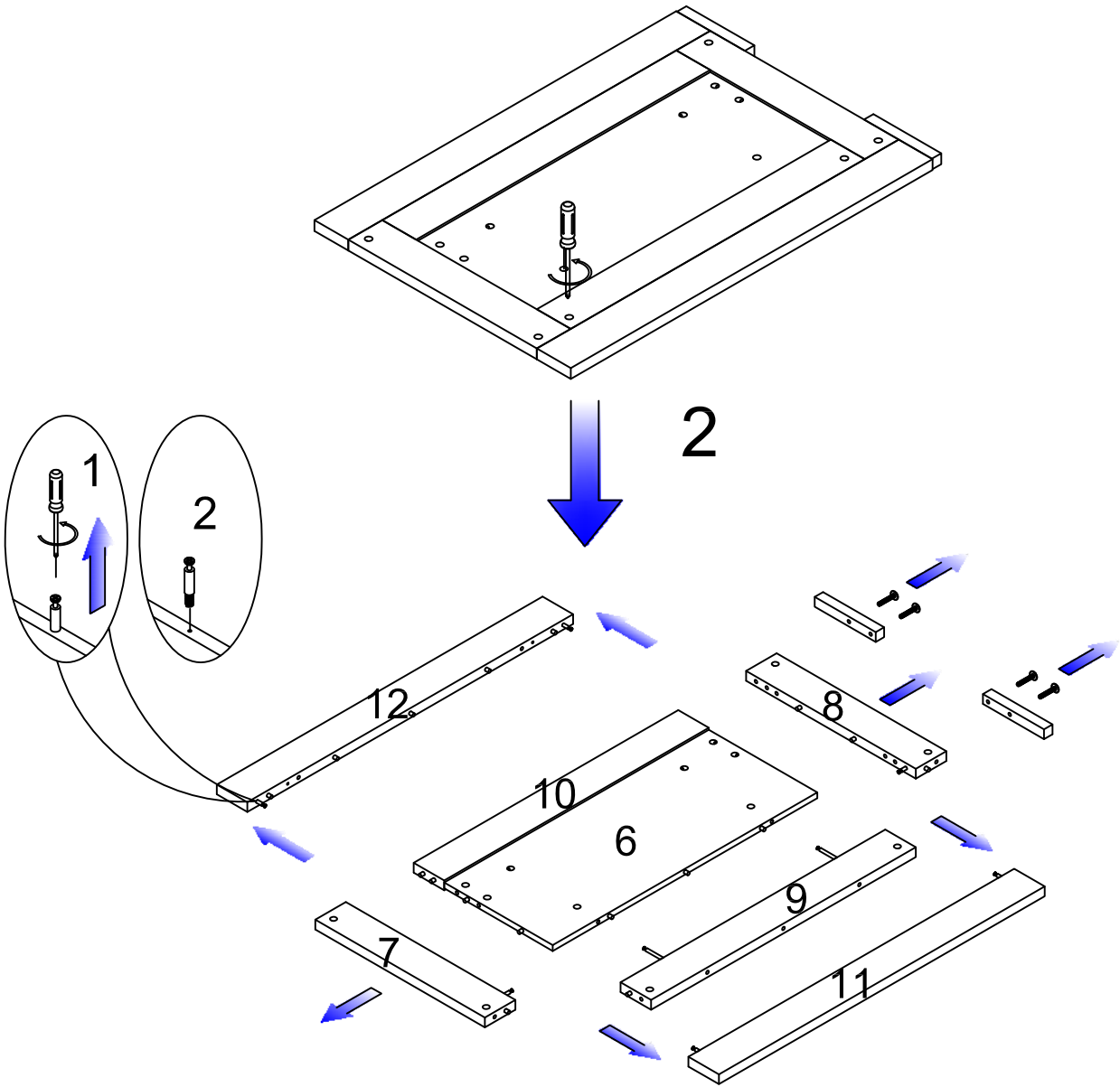
9A

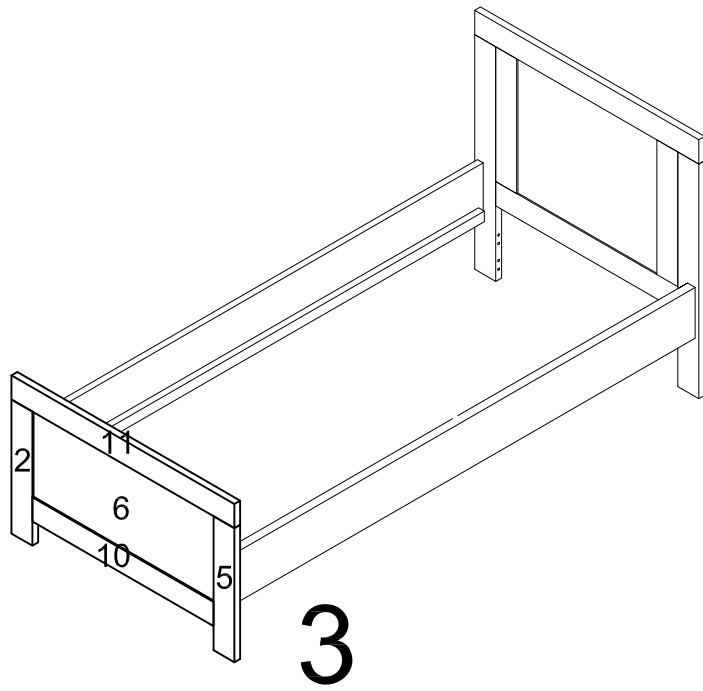


9B



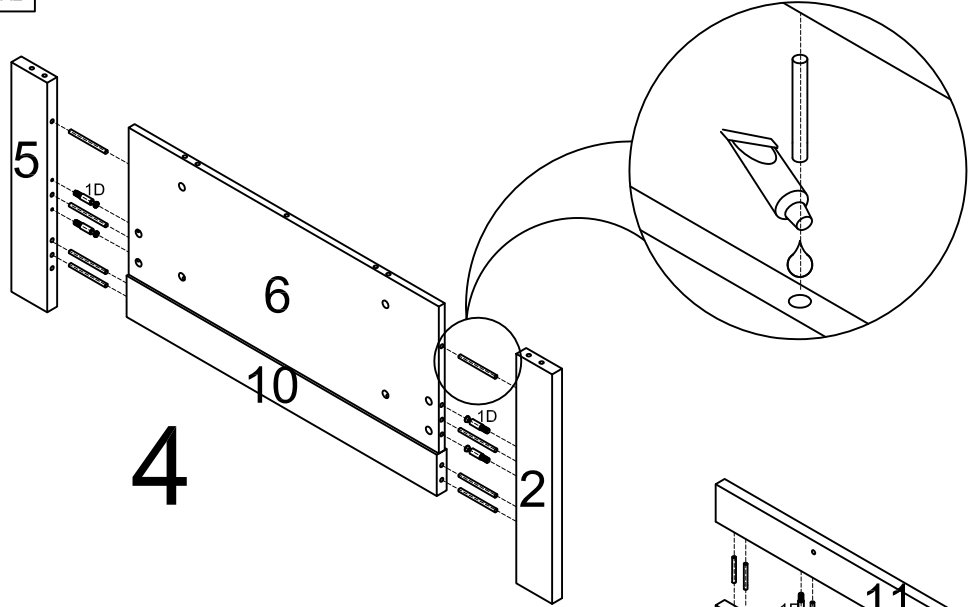




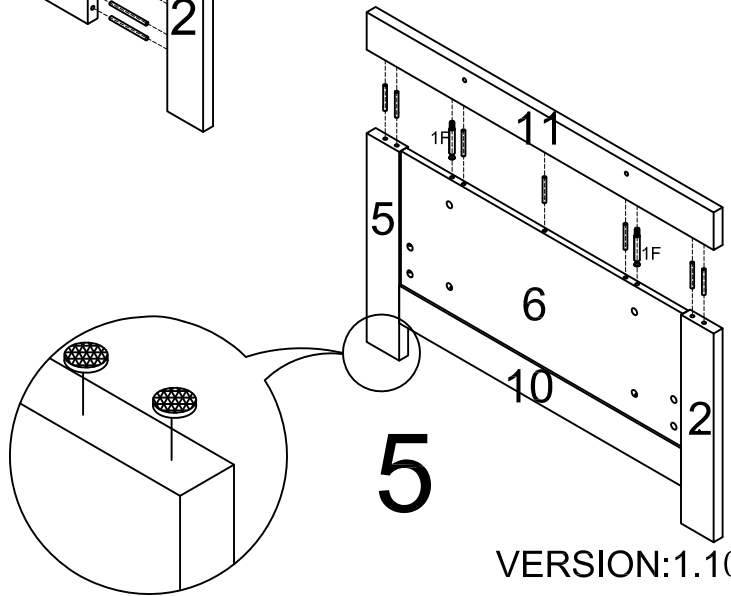


3

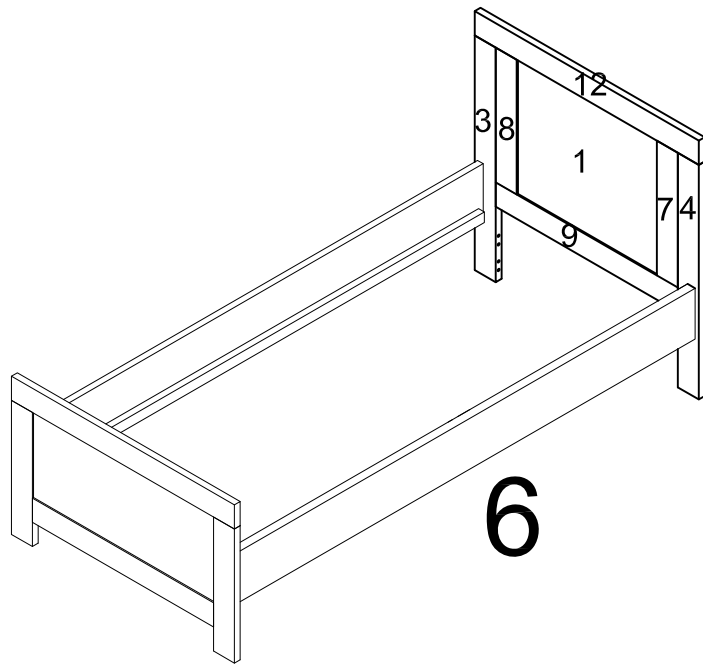
- | | | | |
|-------------------------|--------------------------|------------------------|-------------------------|
| <p>1D
L=35mm X4</p> | <p>209
Ø8*40 X15</p> | <p>30L
glue x1</p> | <p>30G
Ø20mm x4</p> |
| <p>1F
L=72mm X2</p> | | | |



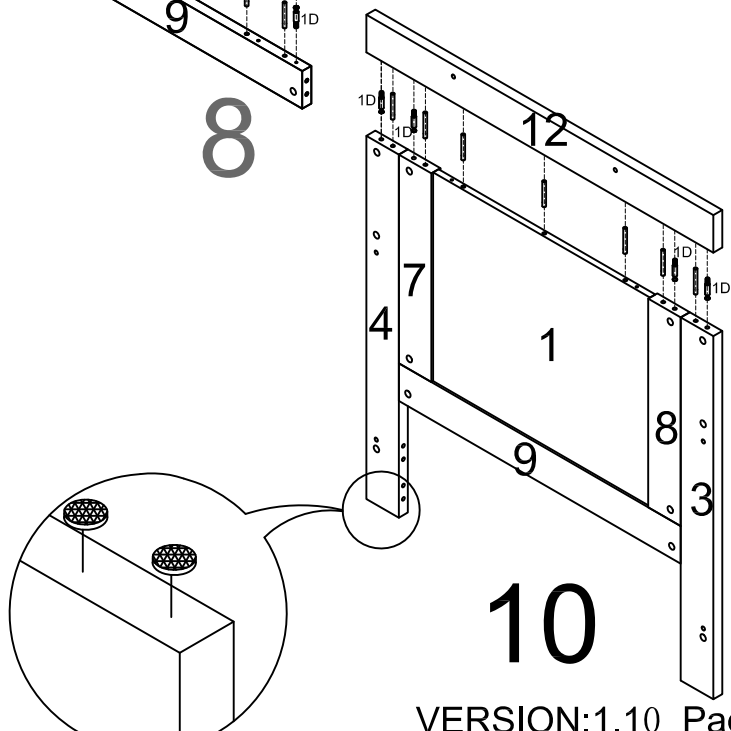
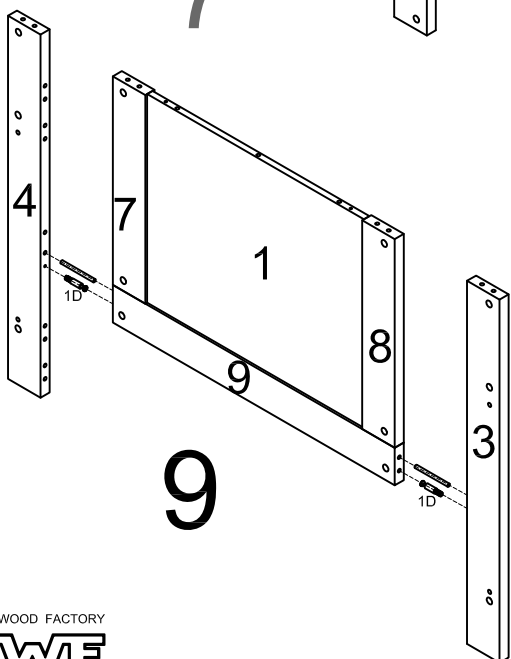
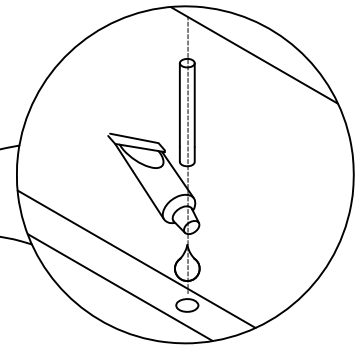
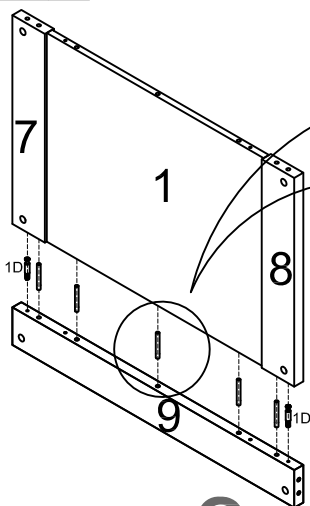
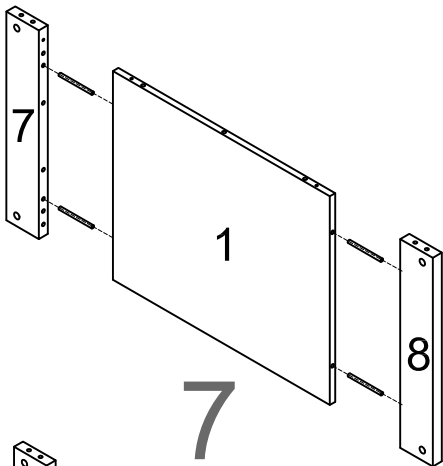
4

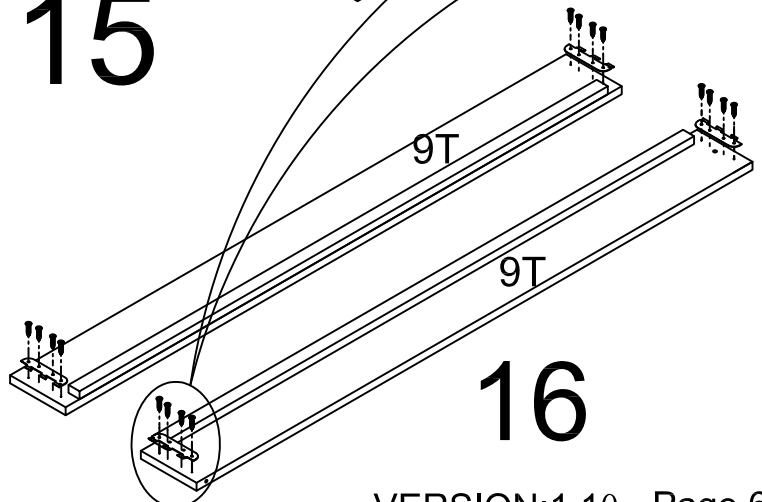
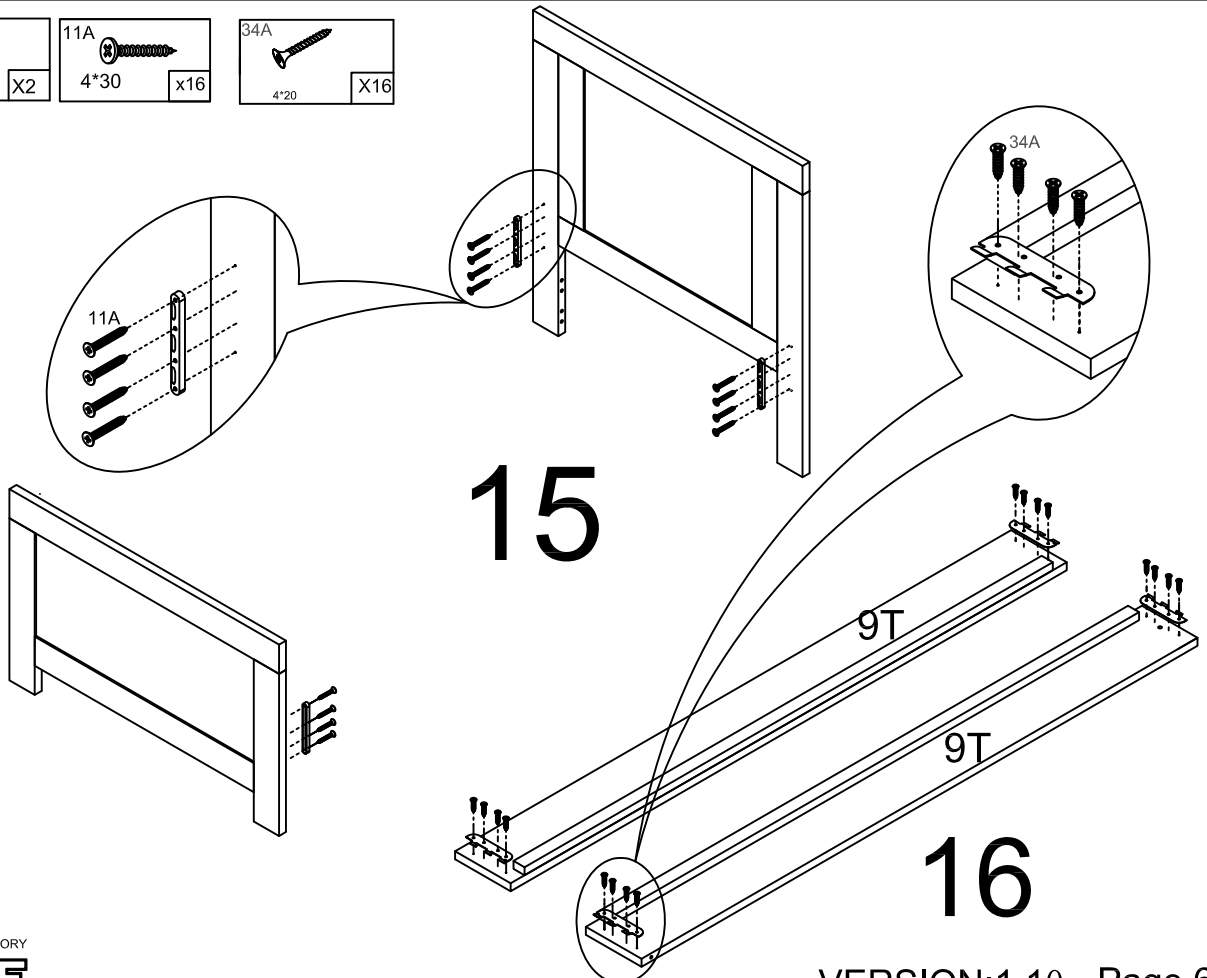
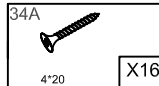
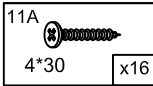
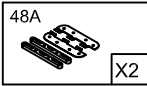
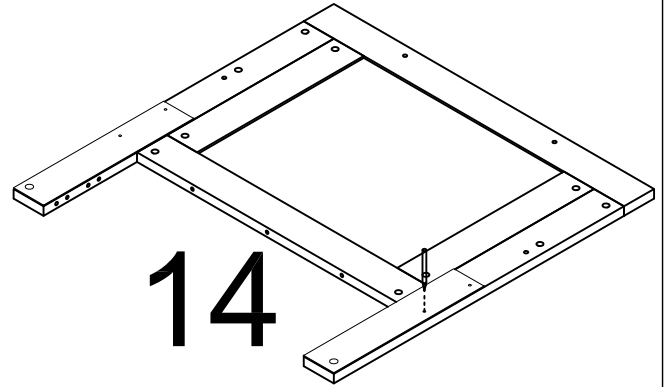
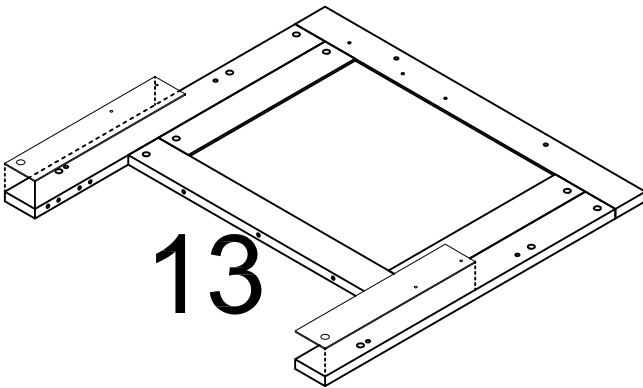
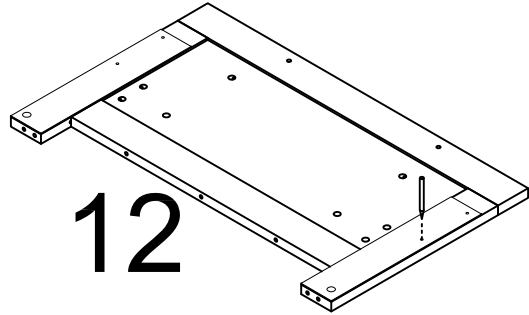
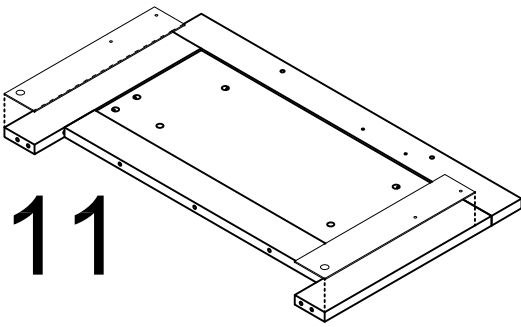
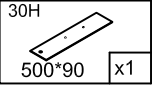


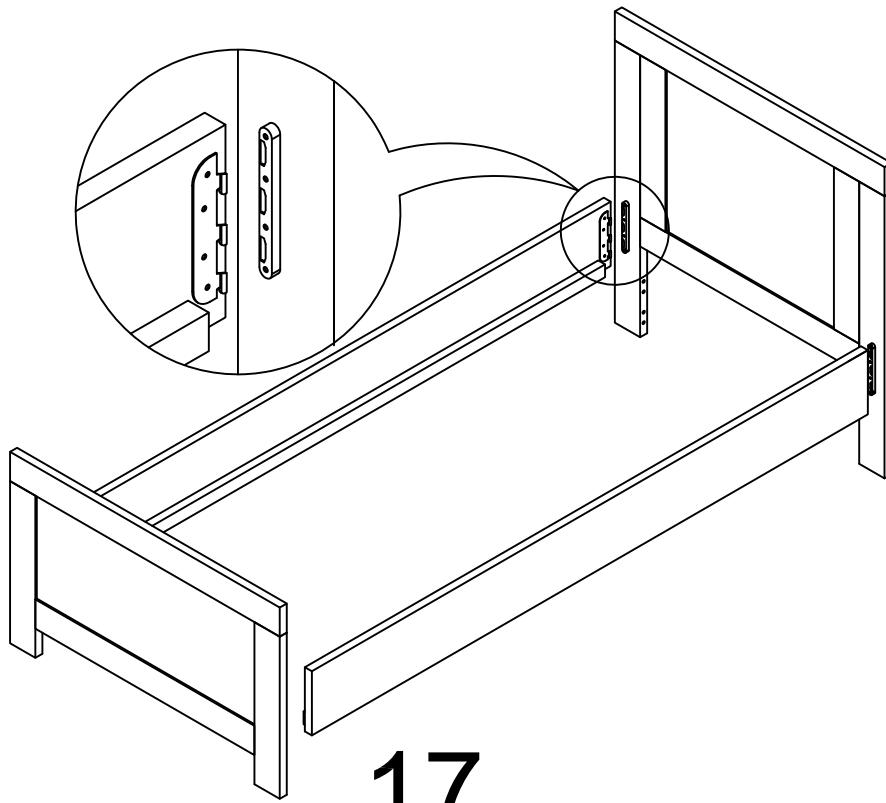
5



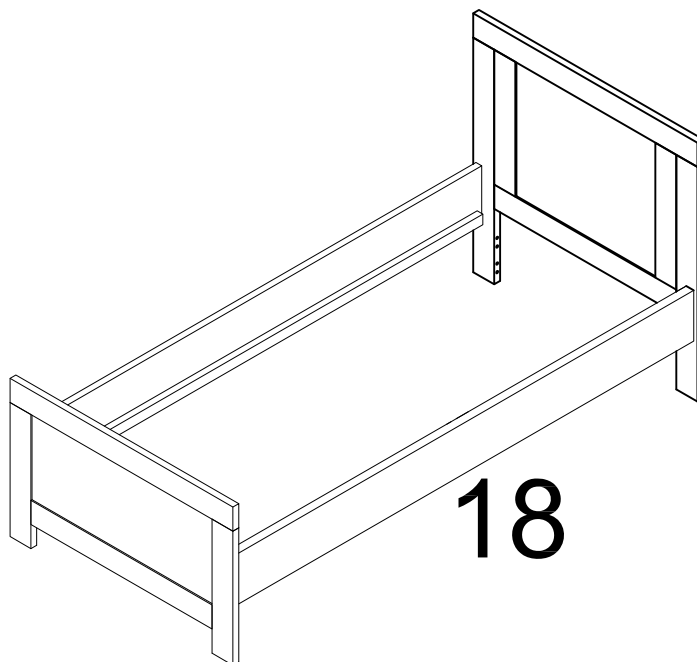
 1D L=35mm X8	 209 Ø8*40 X18	 30L glue x1	 30G Ø20mm x4
---------------------	----------------------	--------------------	---------------------







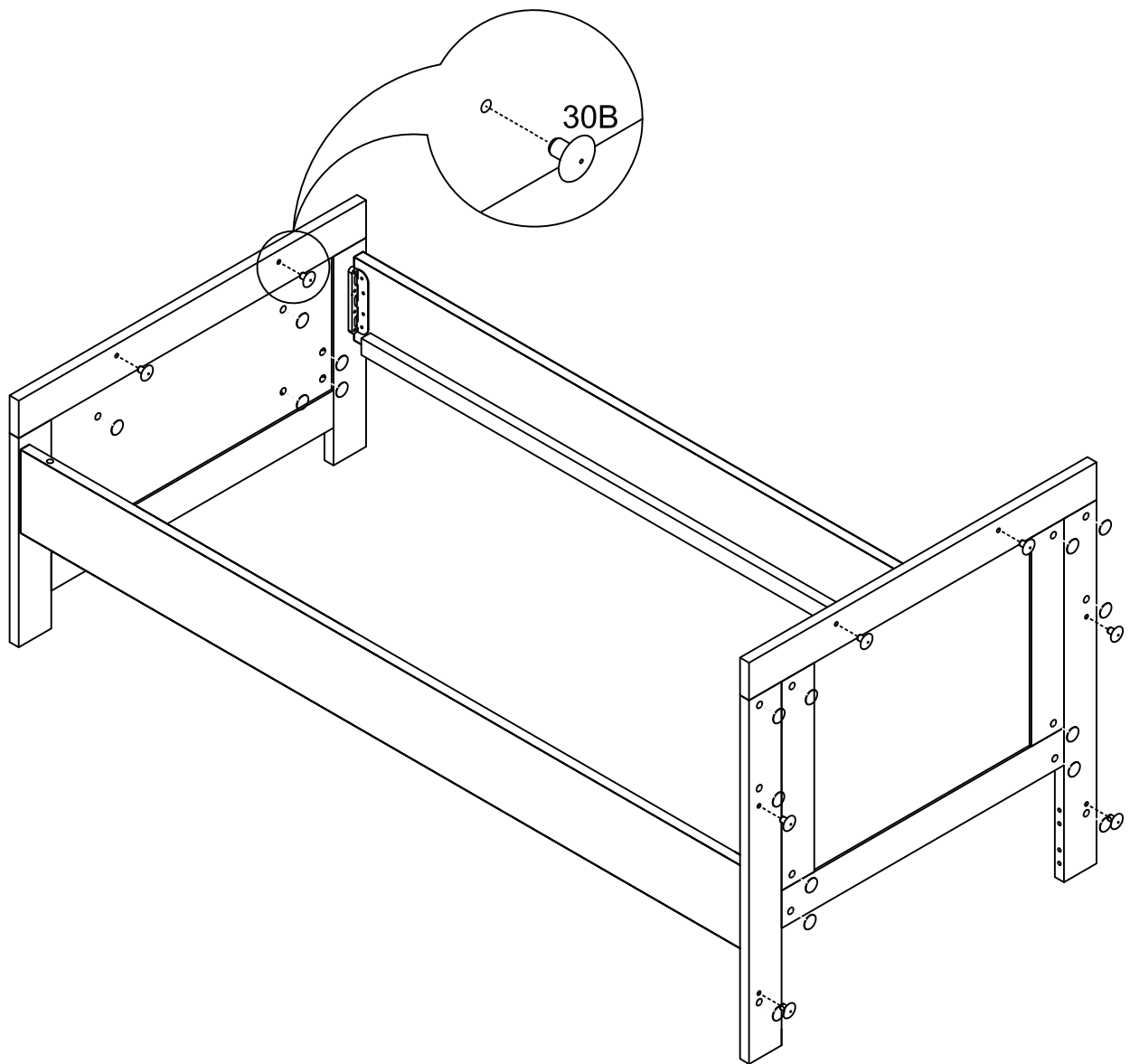
17



18

30B
Ø6mm x8

30F 54#
Ø20mm X27



19