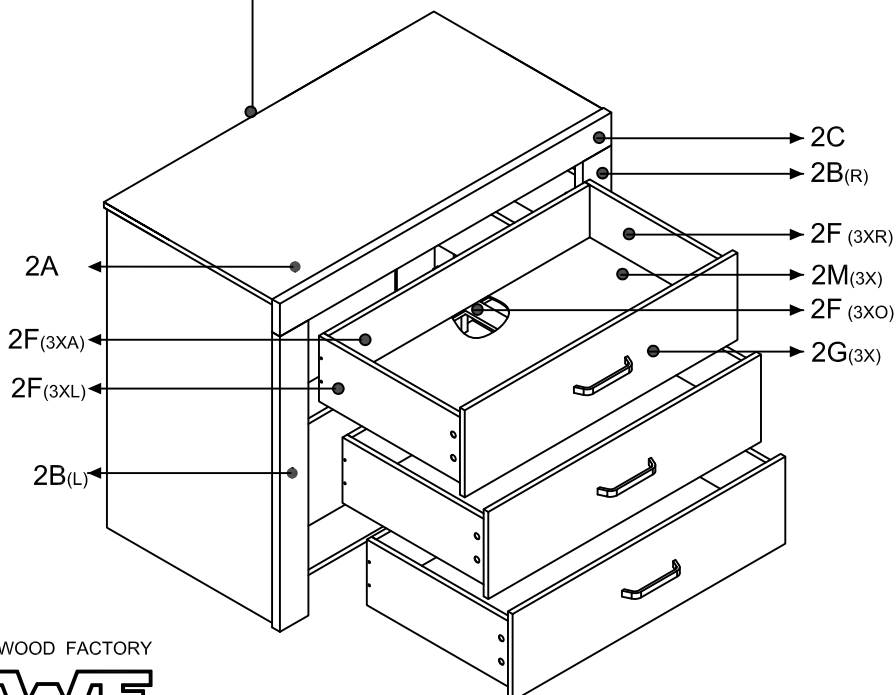
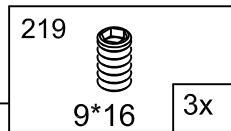
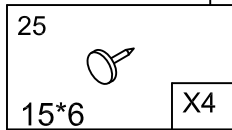
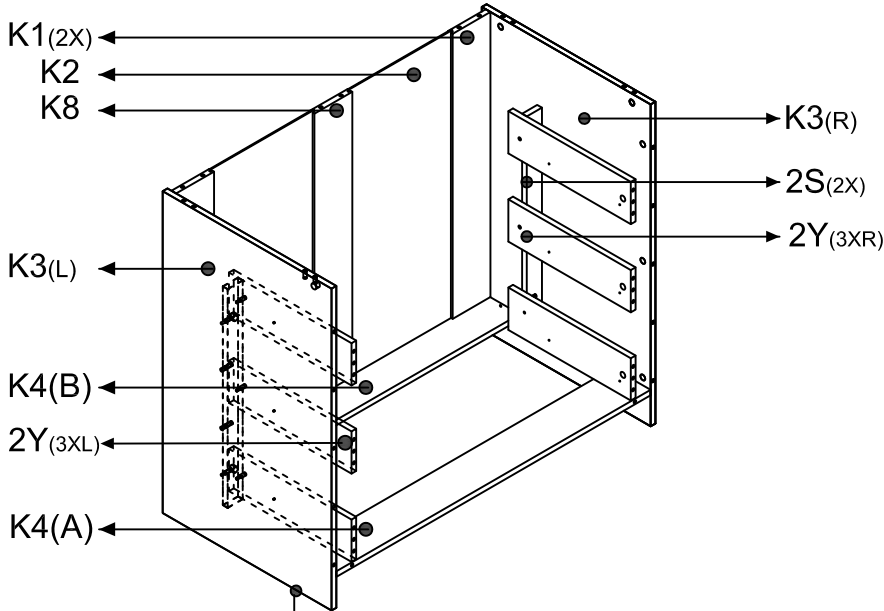
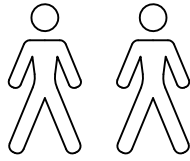


NASHVILLE

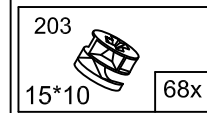
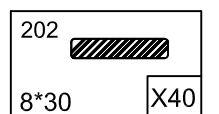
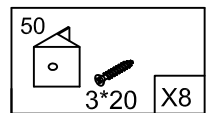
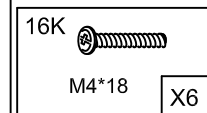
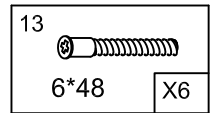
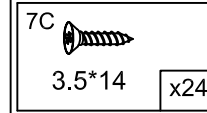
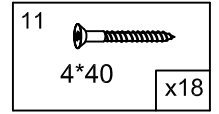
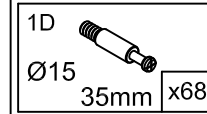
NAS2156: 2A,2B,2C,2G,2M,2S,2Y,K2,K4

NAS2256 : K1,K3,K8,2F,2K,2L

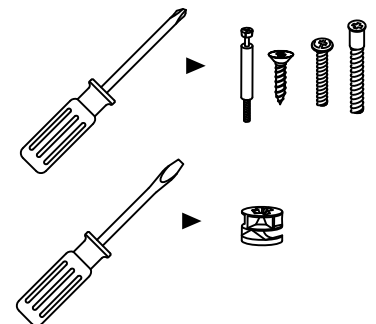
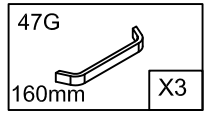
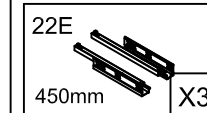
60 min.

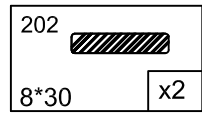
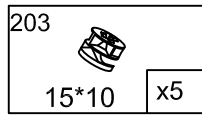
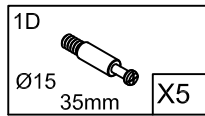
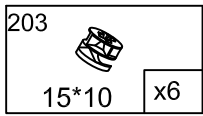
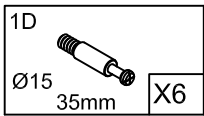


2K



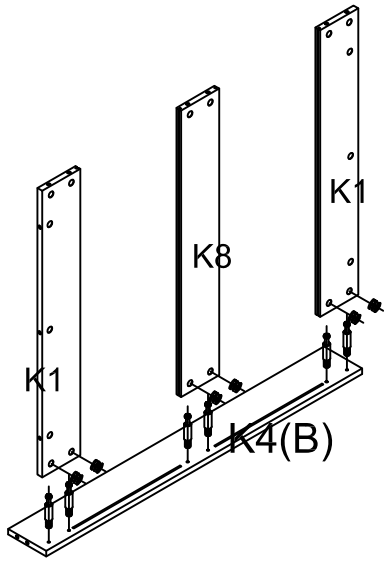
2L





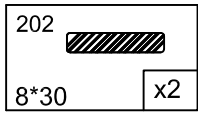
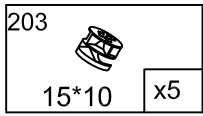
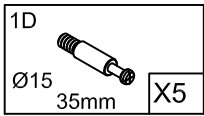
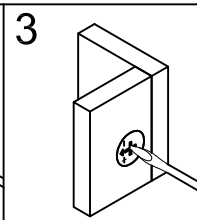
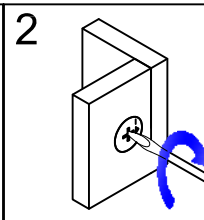
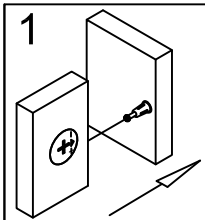
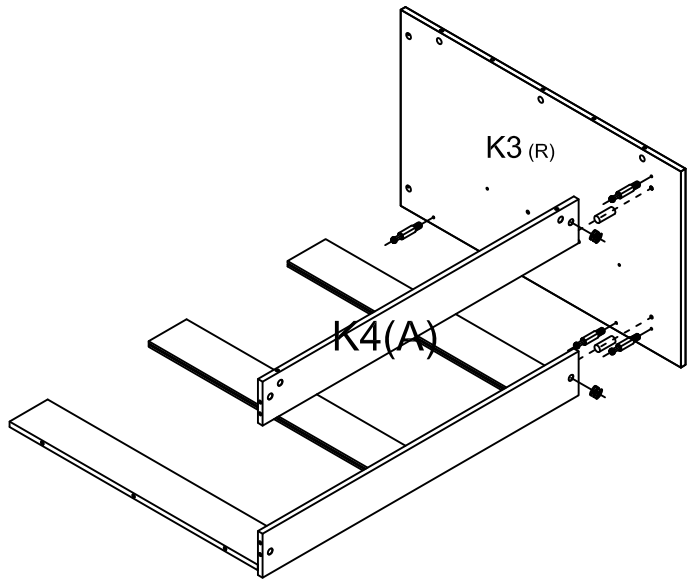
K1
K4(B)
K8

1

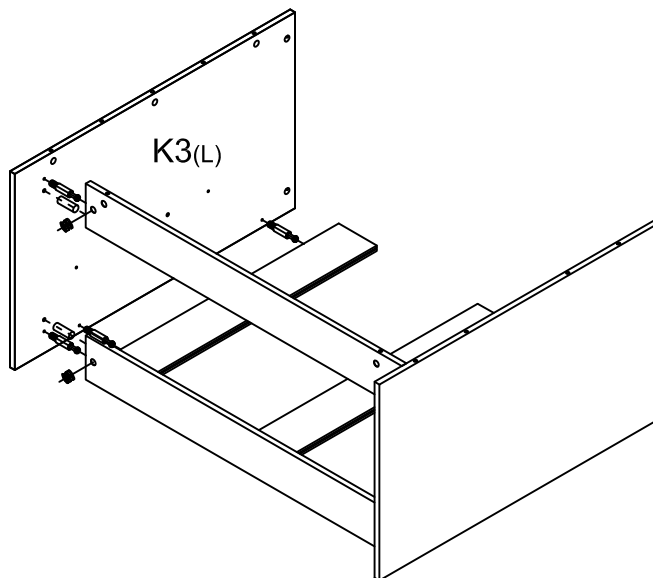


K3(R)
K4(A)

2

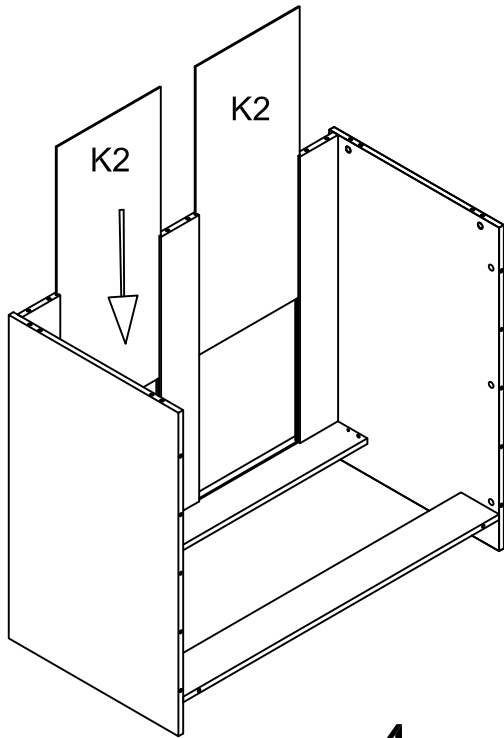


K3(L)

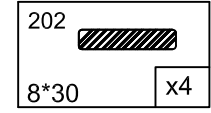
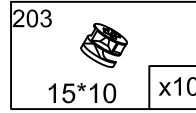
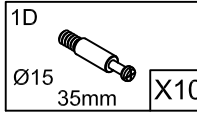


3

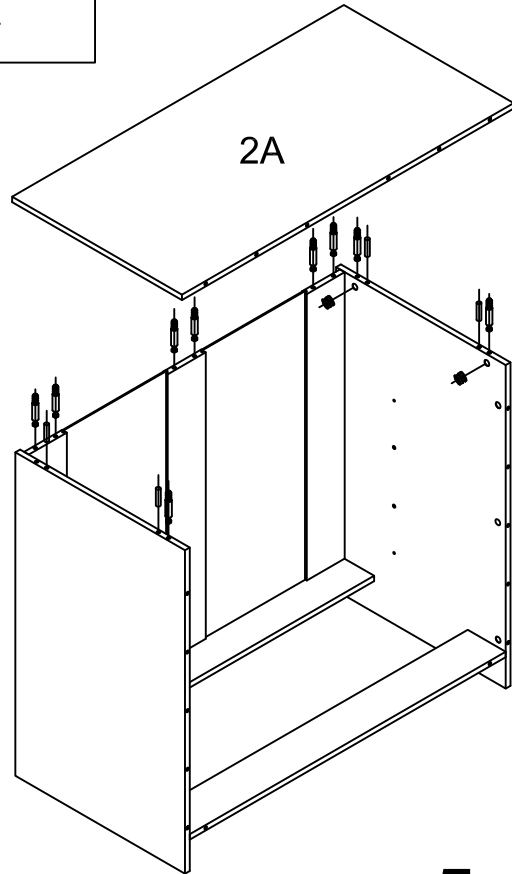
K2



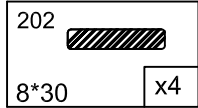
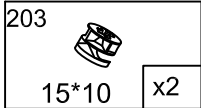
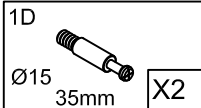
4



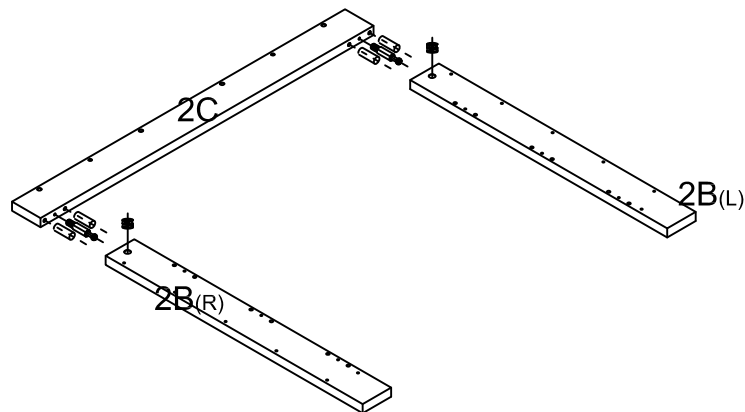
2A



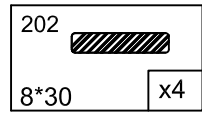
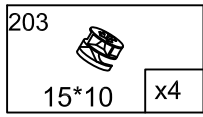
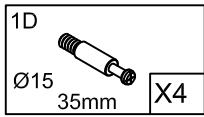
5



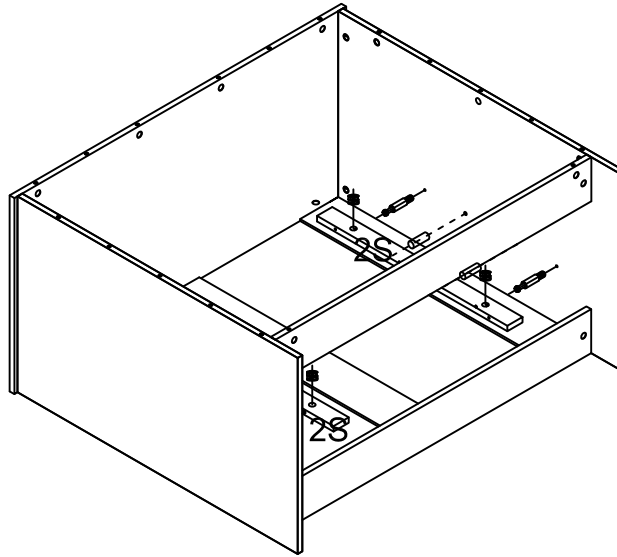
2B (L)
2B (R)
2C



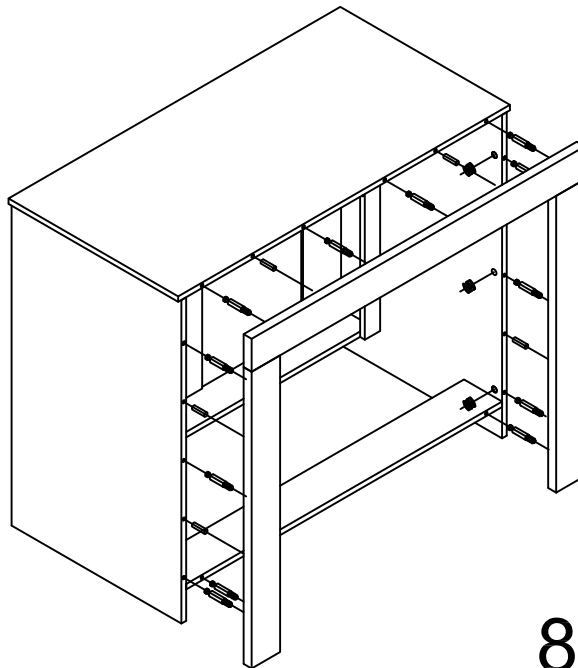
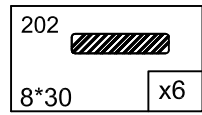
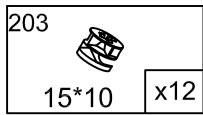
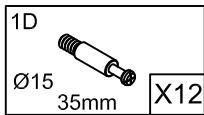
6



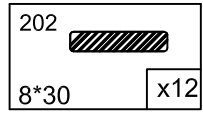
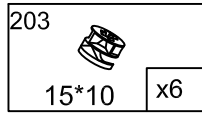
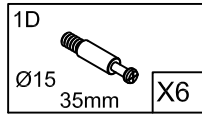
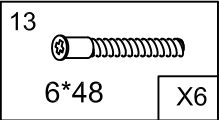
2S



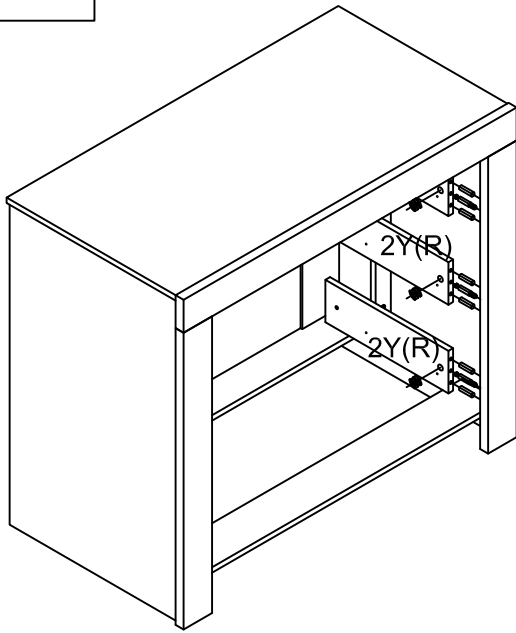
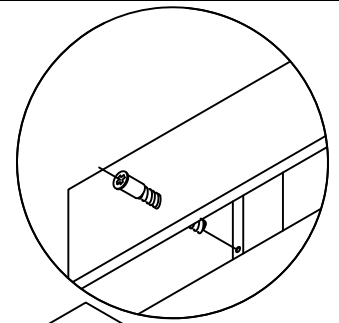
7



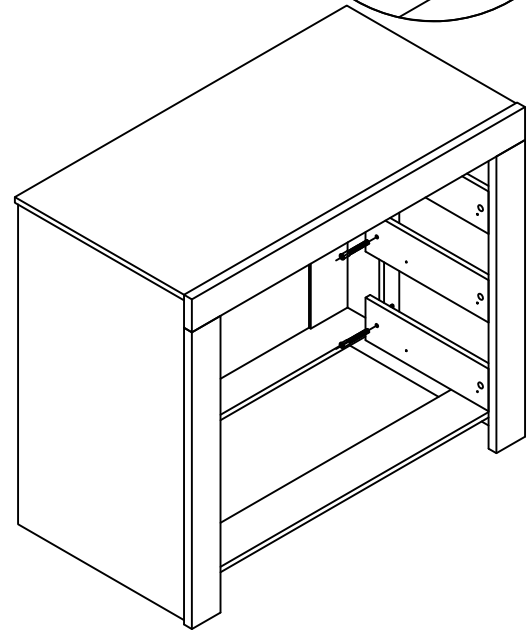
8



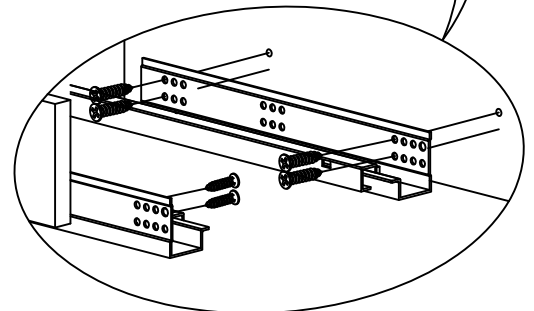
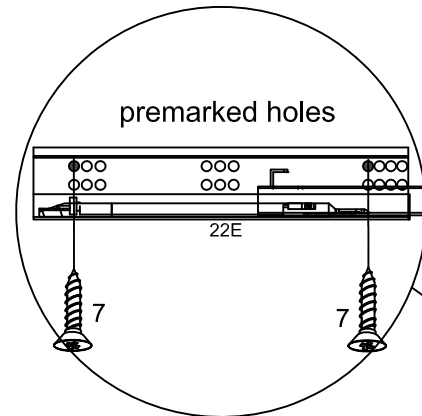
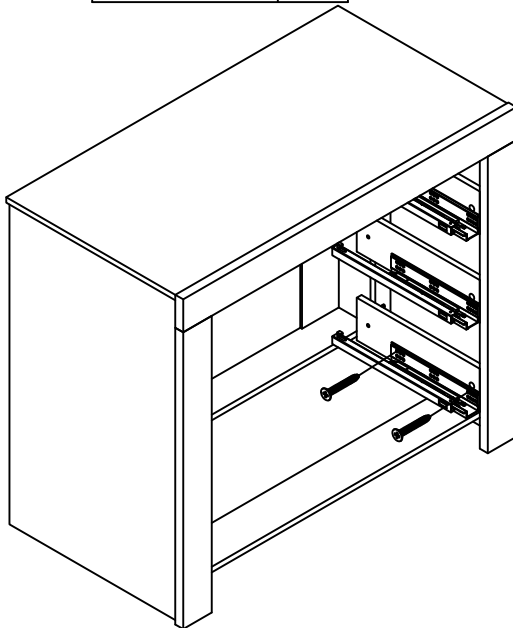
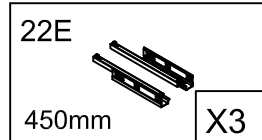
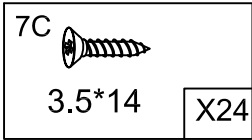
2Y



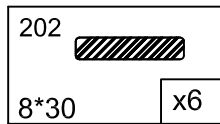
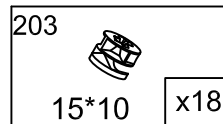
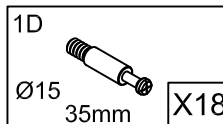
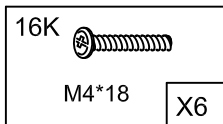
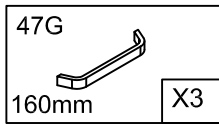
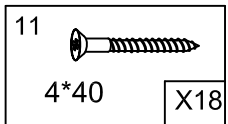
9



10



11



- 2F (3XL)
- 2F (3XA)
- 2F (3XR)
- 2M (3X)
- 2F (3XO)
- 2G(3X)

