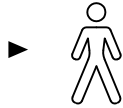


LANCASTER

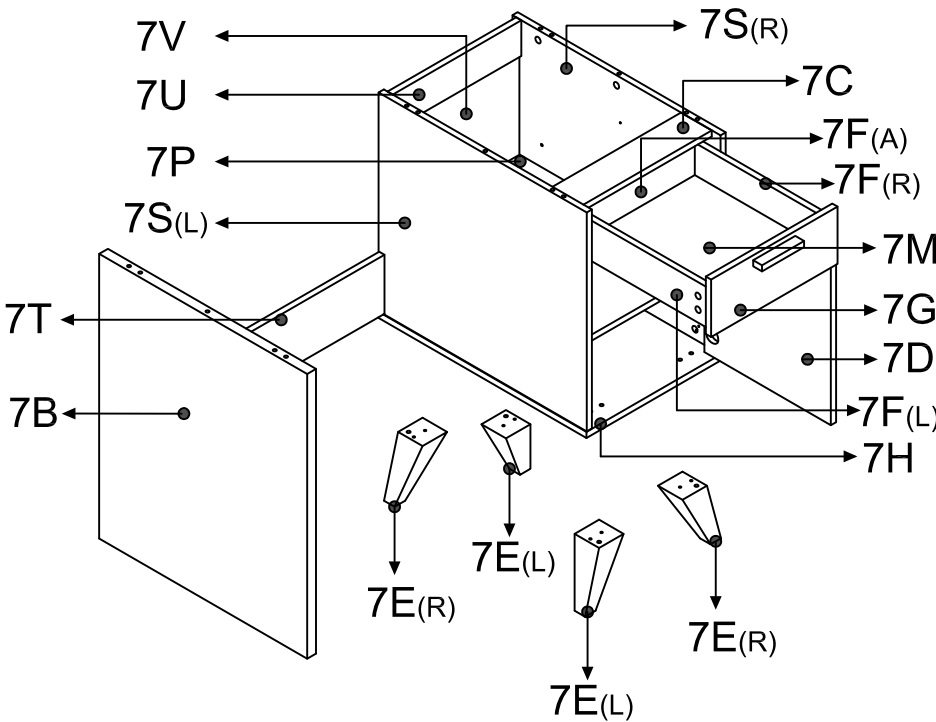
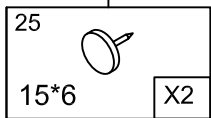
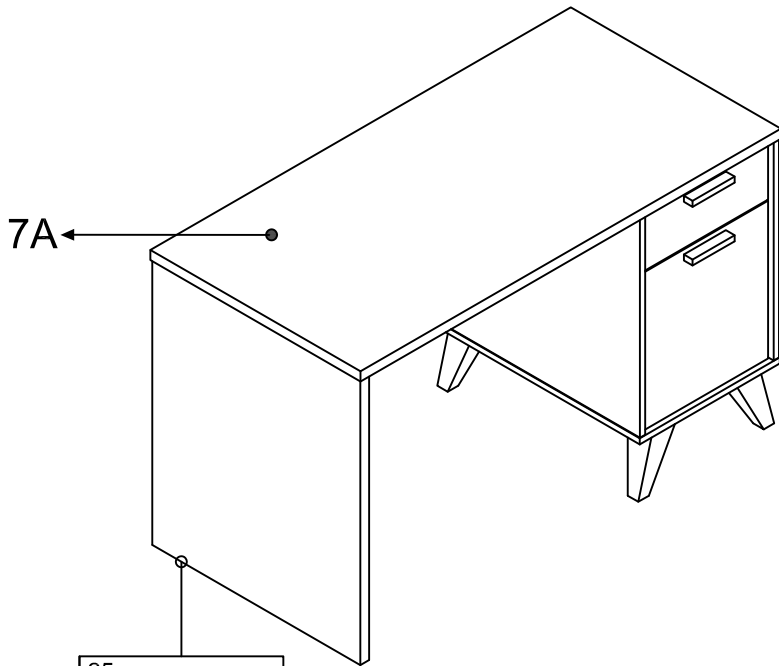
60 MIN



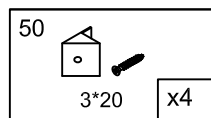
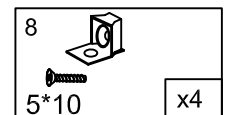
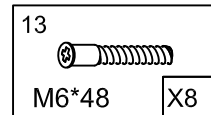
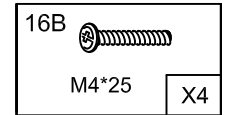
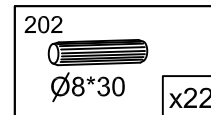
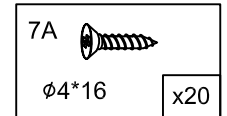
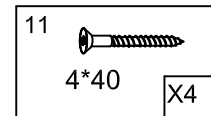
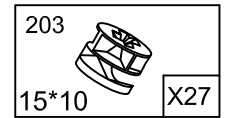
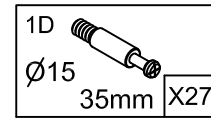
LAN7120: 7A,7C,7F,7H,7S,7T,7U

LAN7220: 7B,7D,7G,7M,7P,7V

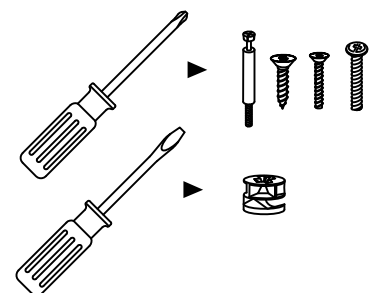
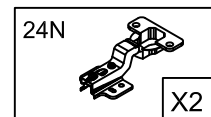
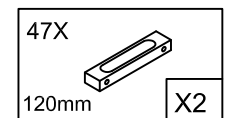
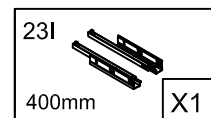
LAN7320: 7E,7K,7L



7K

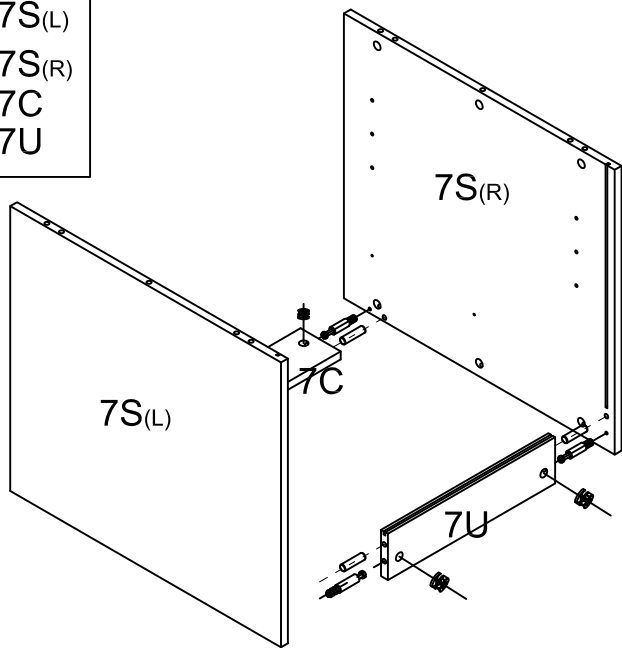


7L

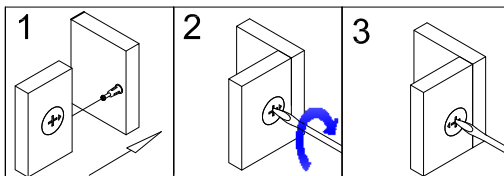


1D Ø15 35mm X4	203 15*10 X4	202 Ø8*30 x4
-------------------------	--------------------	--------------------

7S(L)
7S(R)
7C
7U

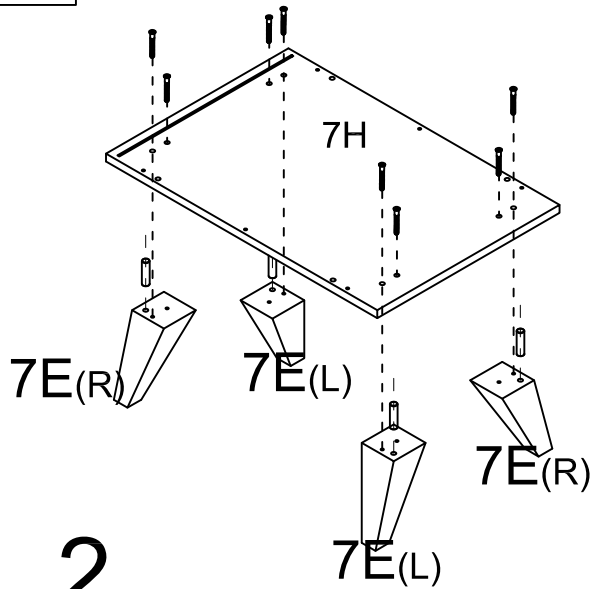


1



202 Ø8*30 x4	13 M6*48 X8
--------------------	-------------------

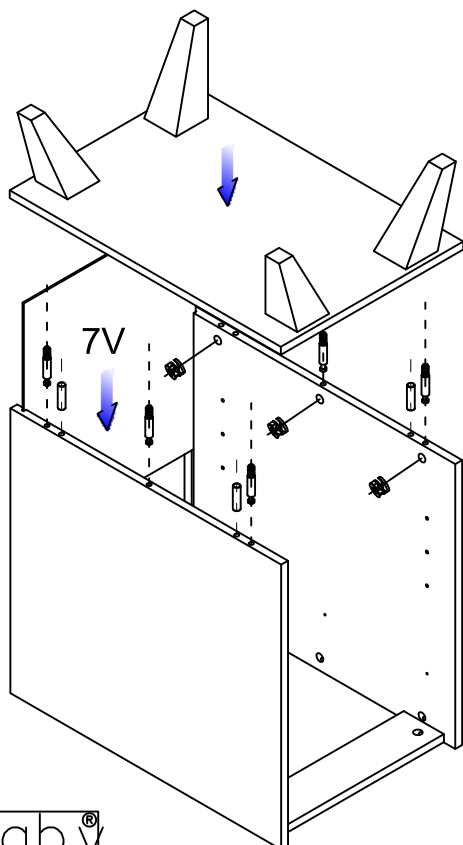
7E(LX2)
7E(RX2)
7H



2

1D Ø15 35mm X6	203 15*10 X6	202 Ø8*30 x4
-------------------------	--------------------	--------------------

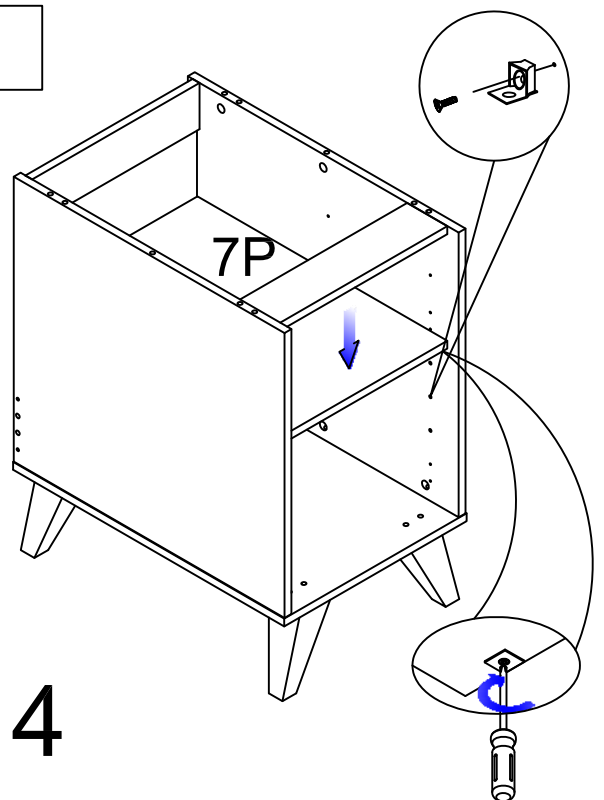
7V



3

8 5*10 x4

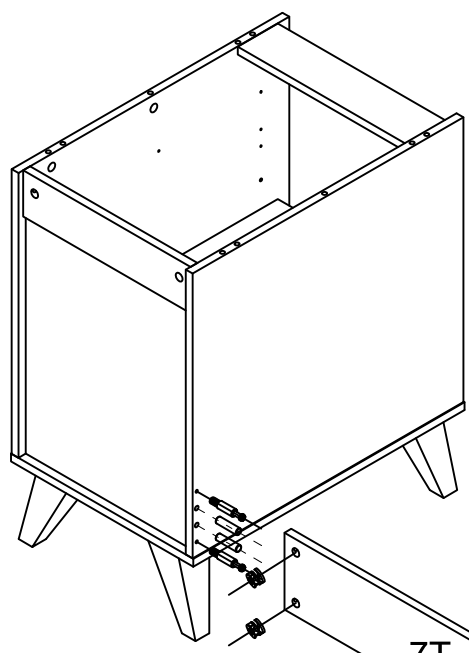
7P



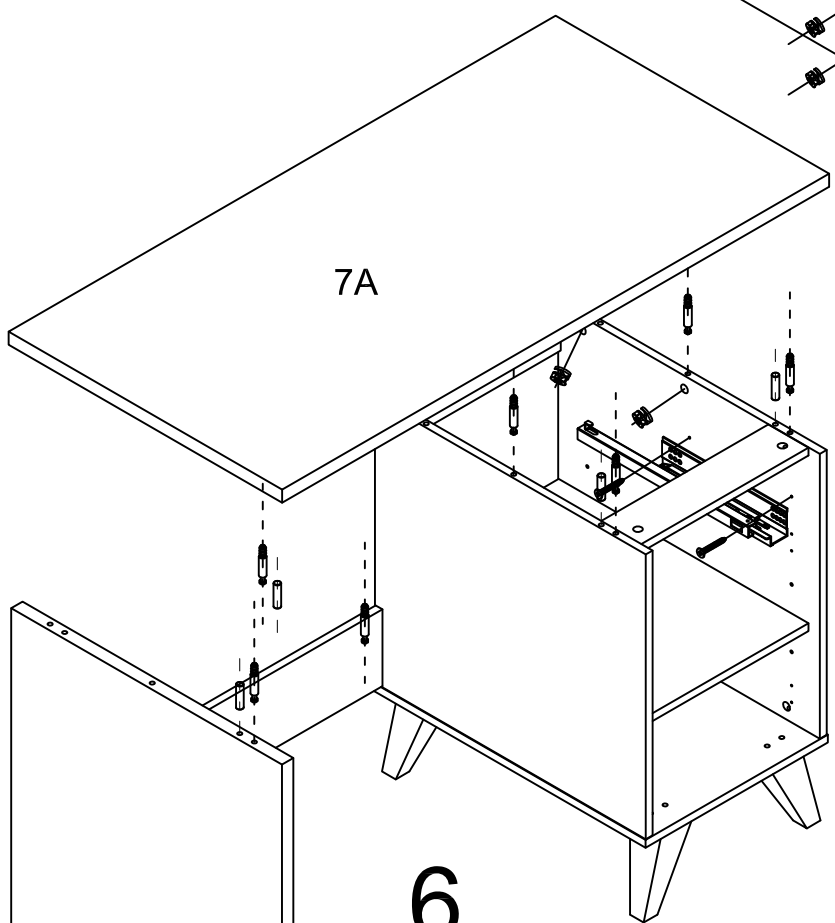
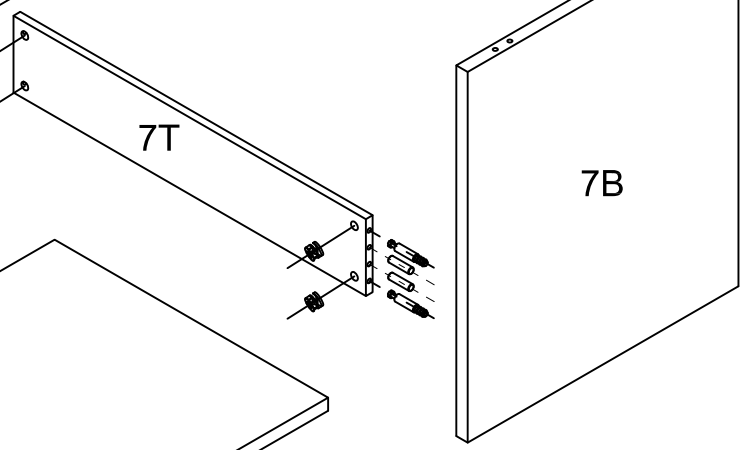
4

1D Ø15 35mm X13	203 15*10 X13	202 Ø8*30 x10	231 400mm X1	7A Ø4*16 x8
--------------------------	---------------------	---------------------	--------------------	-------------------

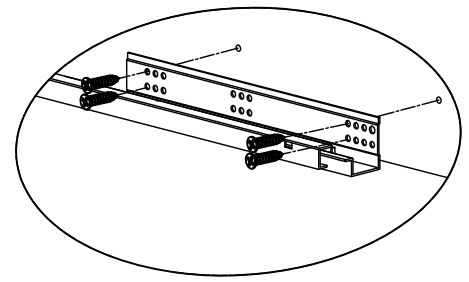
7A
7B
7T



5

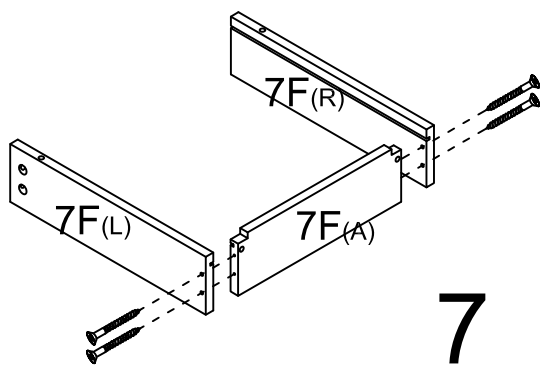


6

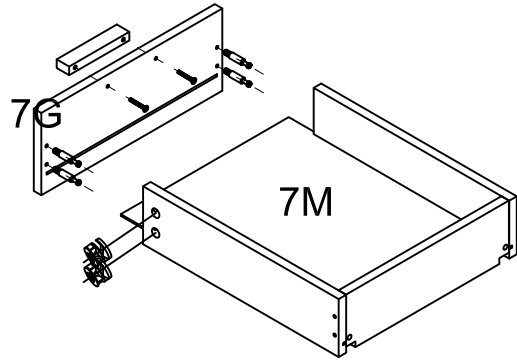


11 4*40 X4	1D Ø15 35mm X4	203 15*10 X4	16B M4*25 X2	47X 120mm X1
------------------	-------------------------	--------------------	--------------------	--------------------

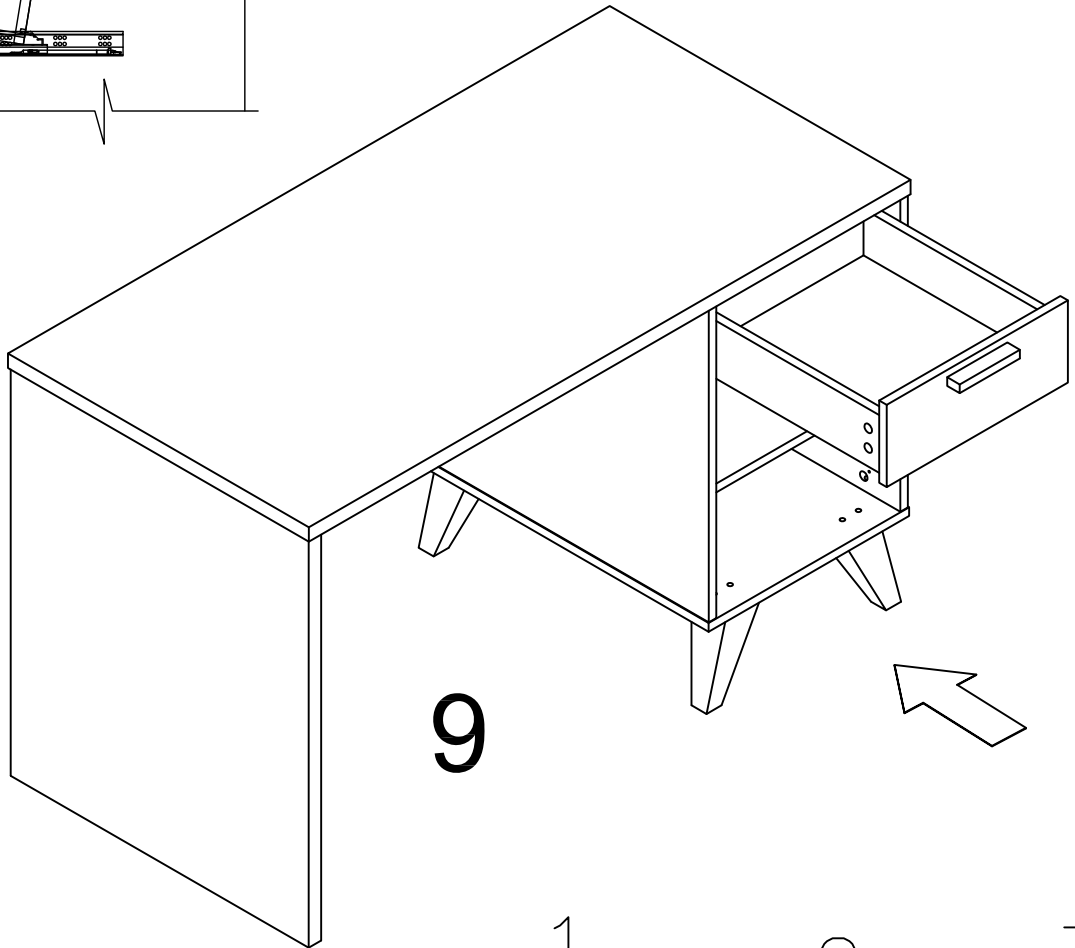
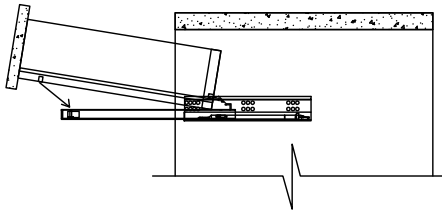
7F(L)
7F(R)
7F(A)
7G
7M



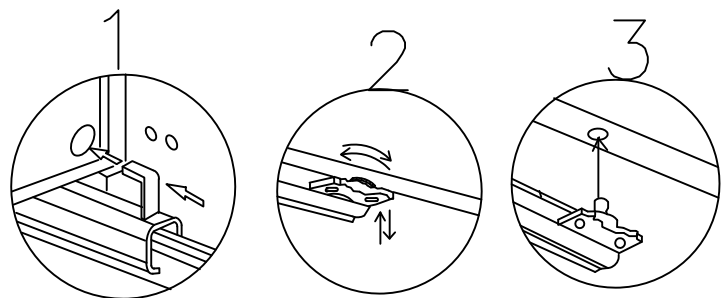
7

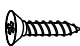





8

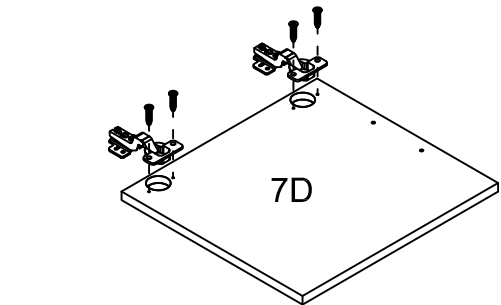


9

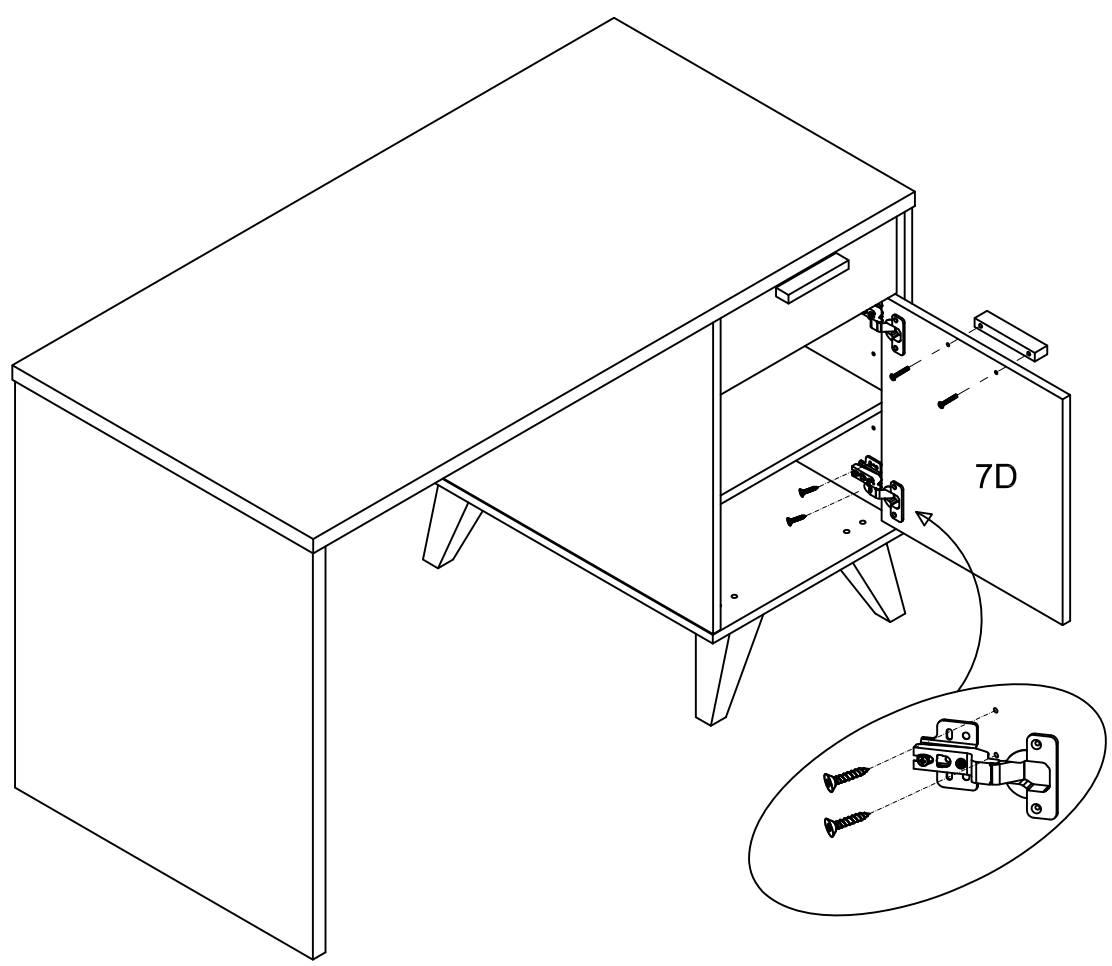


7A  φ4*16	X12	24N  X2	16B  M4*25	X2	47X  120mm	X1
--	-----	---	--	----	--	----

7D

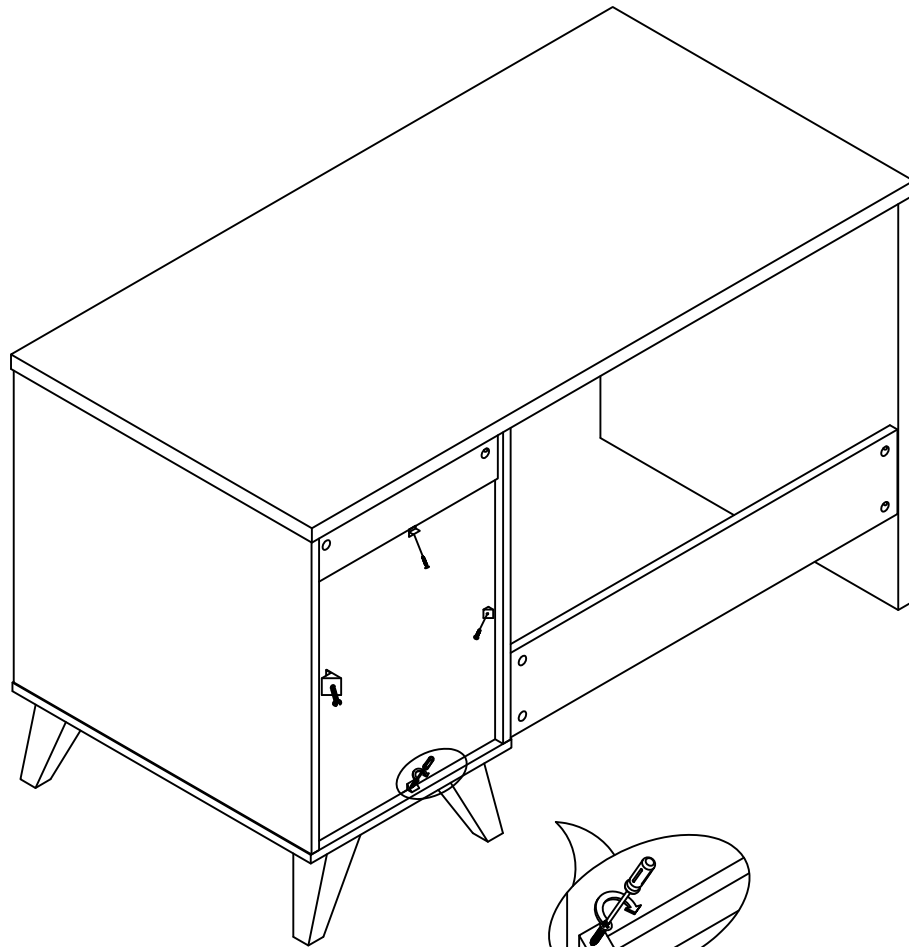


10

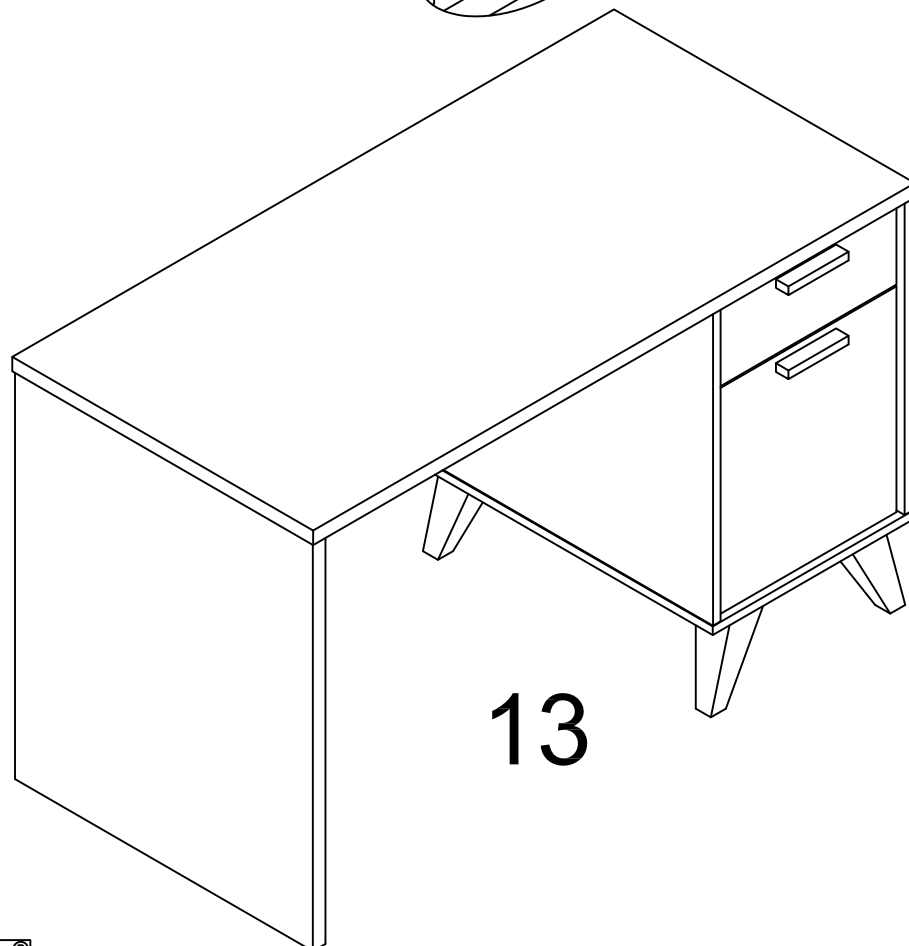


11

50
3*20 x4



12



13