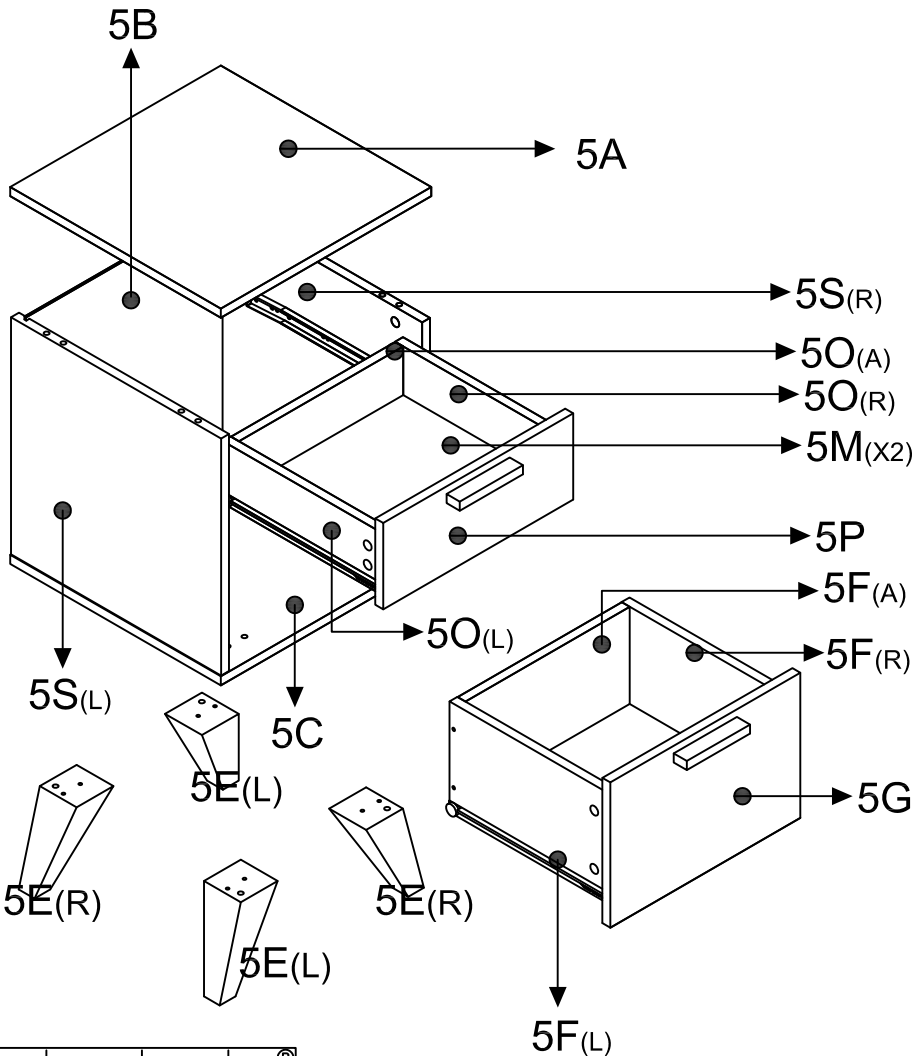
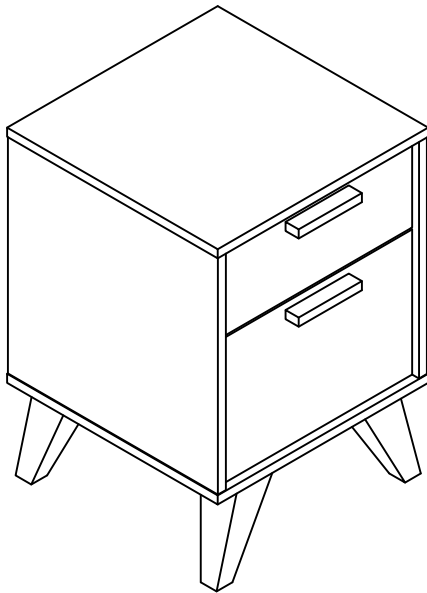
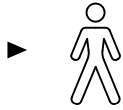


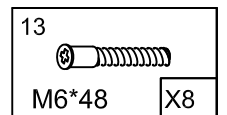
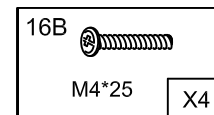
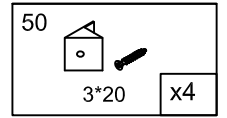
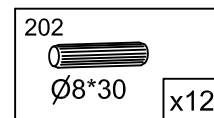
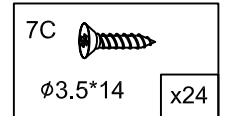
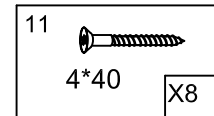
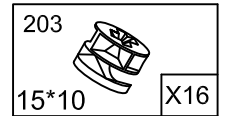
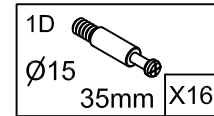
LANCASTER

LAN5120: 5A,5B,5C,5E,5F, 5G
5K,5L,5M,5O,5P,5S

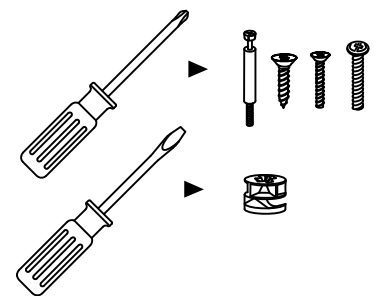
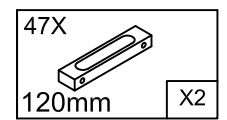
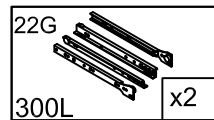
20 MIN





5K

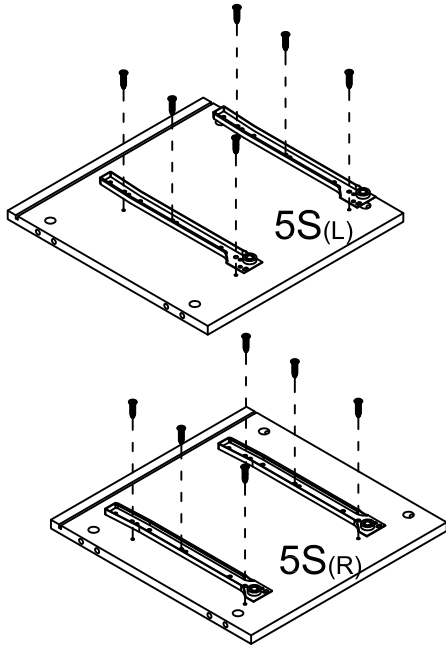
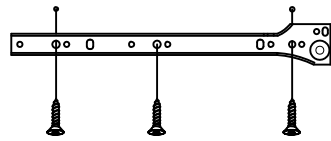


5L


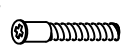


22G 	7C 
300L x2	ø3.5*14 x12

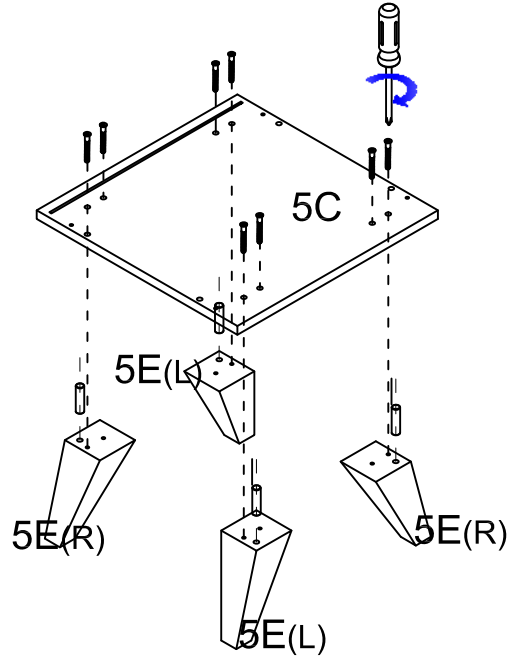
5S(L)
5S(R)





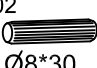
1

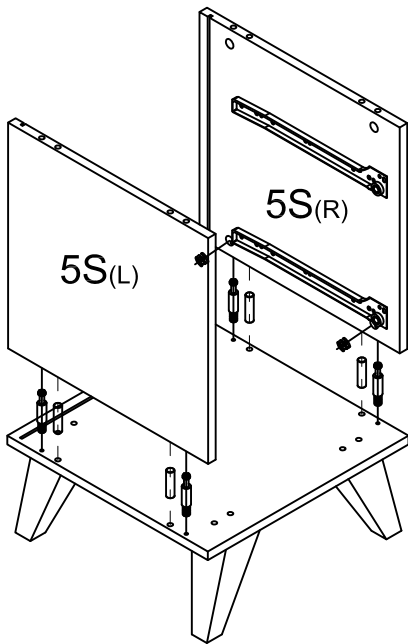
202 	13 
ø8*30 x4	M6*48 x8

5C
5E(LX2)
5E(RX2)

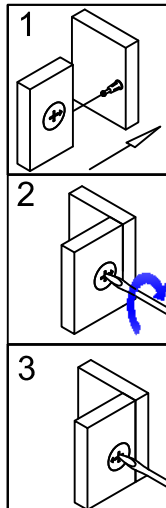




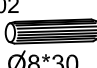
2

1D 	203 	202 
ø15 35mm x4	15*10 x4	ø8*30 x4

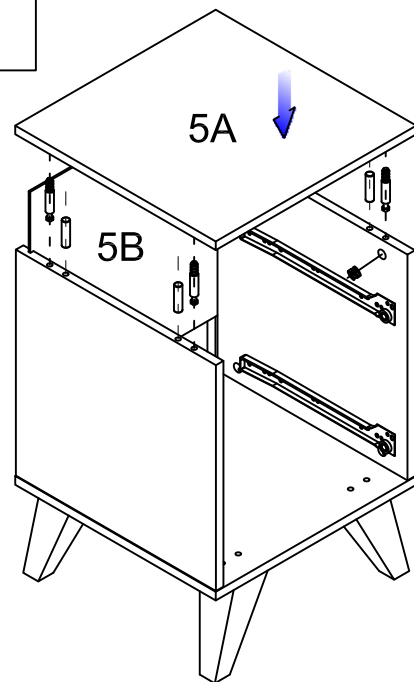


3

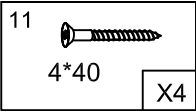


1D 	203 	202 
ø15 35mm x4	15*10 x4	ø8*30 x4

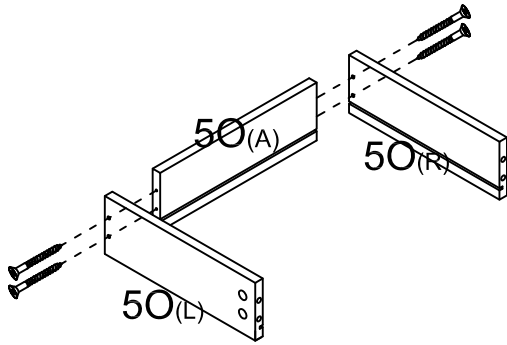
5A
5B



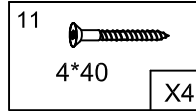
4



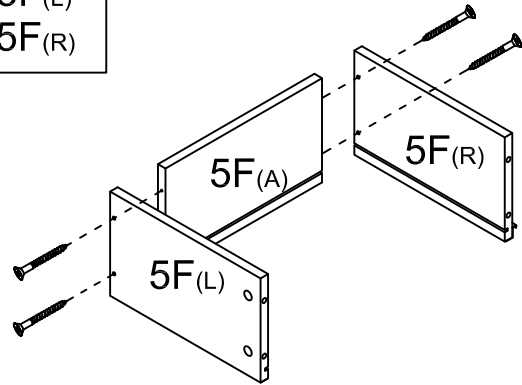
50(A)
50(L)
50(R)



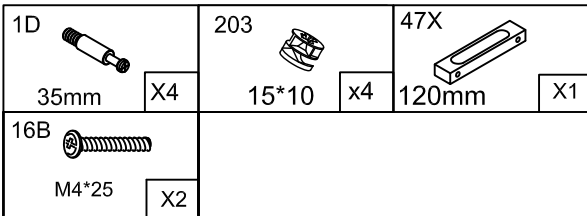
5



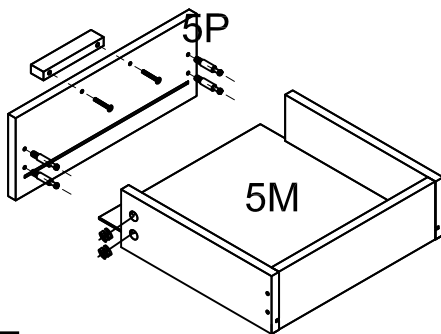
5F(A)
5F(L)
5F(R)



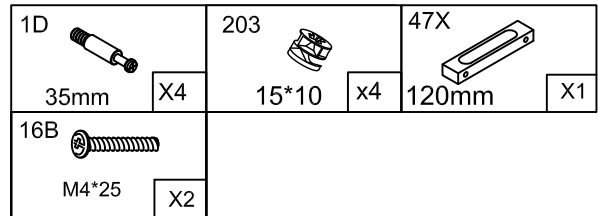
6



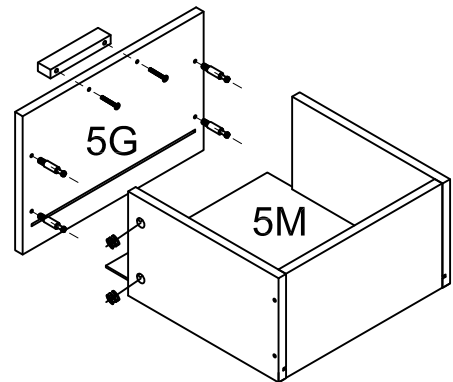
5P
5M



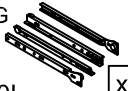
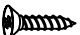
7

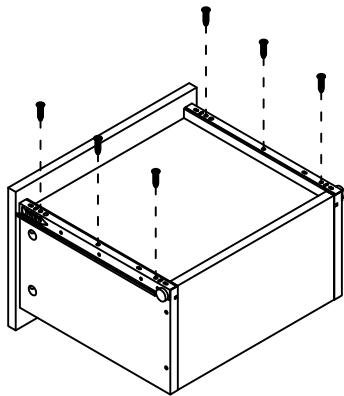
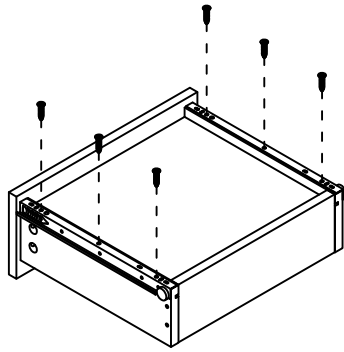


5G
5M

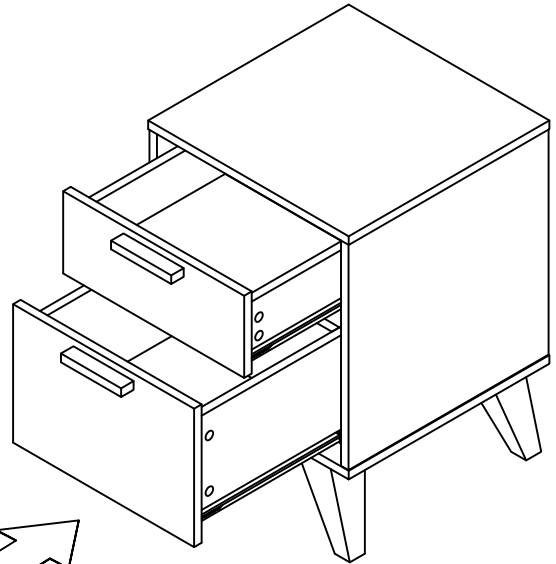


8



22G		7C	
300L	x2	Ø3.5*14	x12

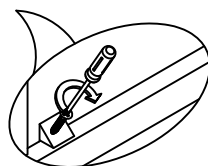
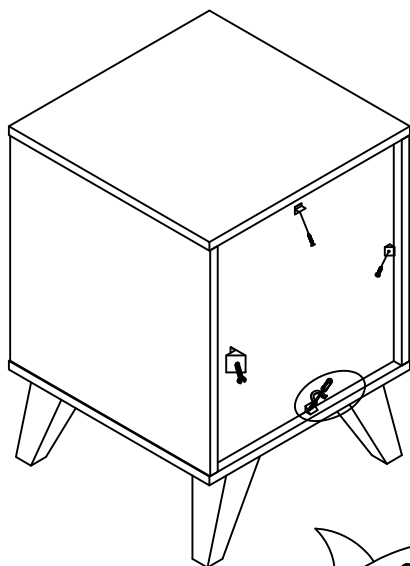


9

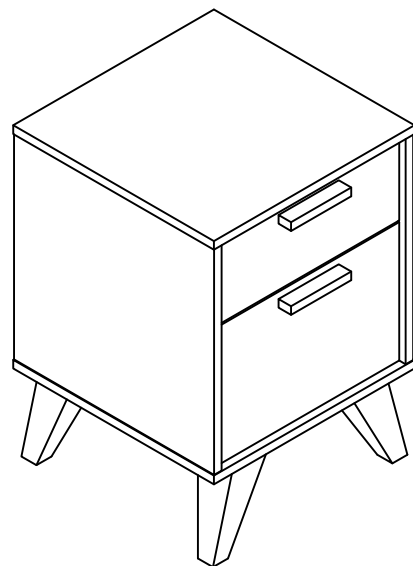


10

50		
	3*20	x4



11



12