
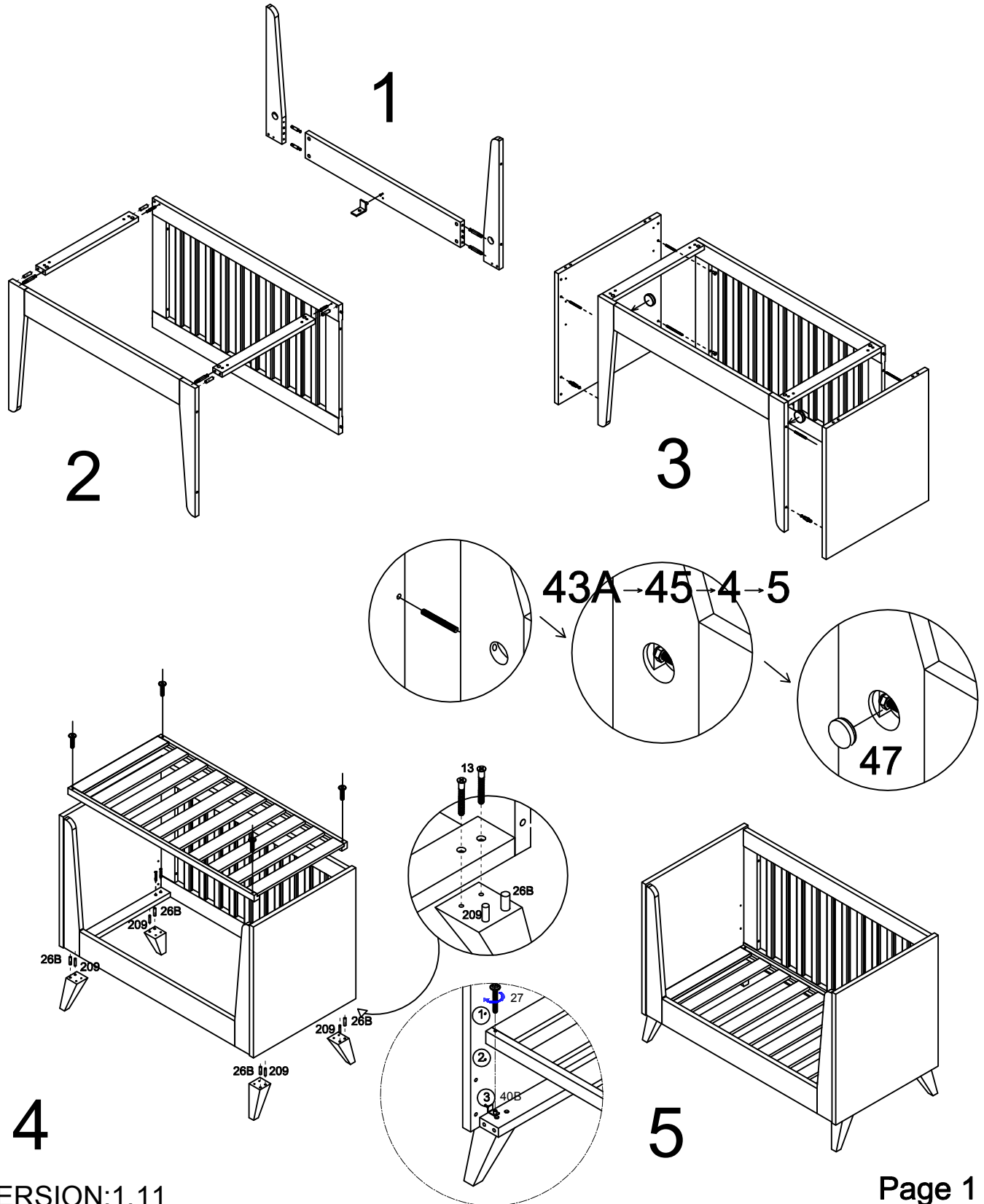
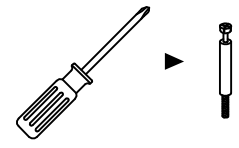


LANCASTER

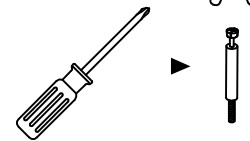
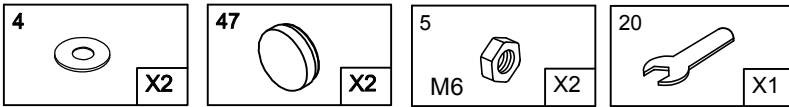
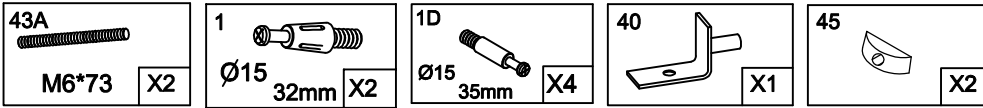
15 min. ▶ 

- | | | | | |
|--------------------|------------------------|-------------------------|----------|----------|
| 43A
M6*73
X2 | 1
Ø15
32mm
X2 | 1D
Ø15
35mm
X4 | 40
X1 | 45
X2 |
| 4
X2 | 47
X2 | 5
M6
X2 | 20
X1 | |

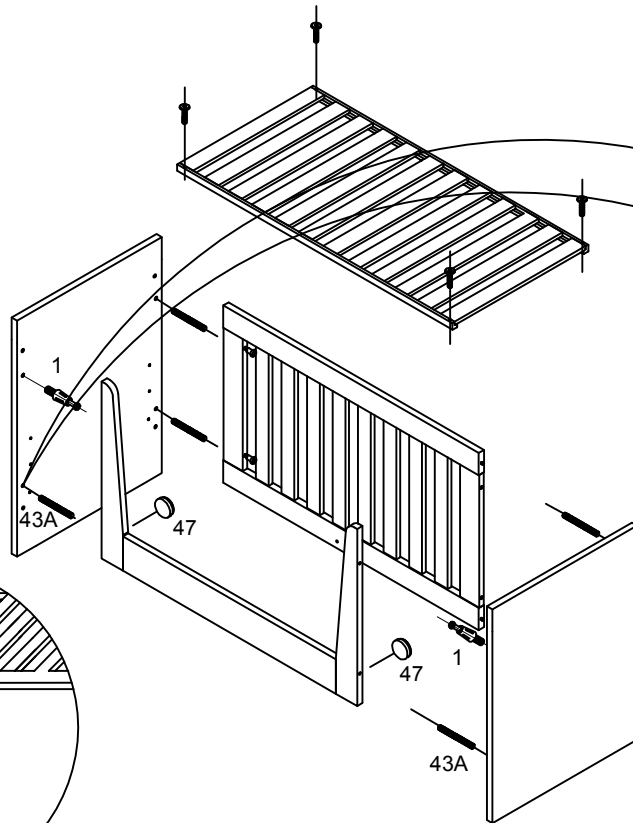
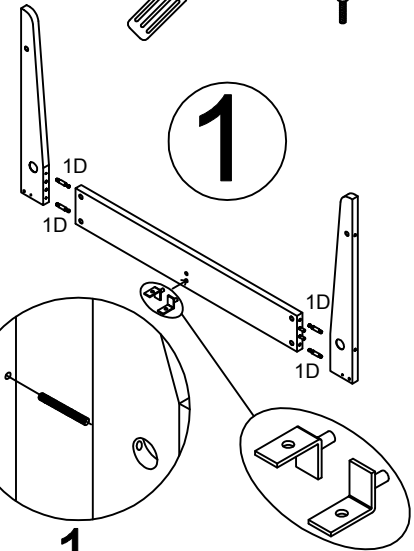


BRADFORD / BRENTWOOD

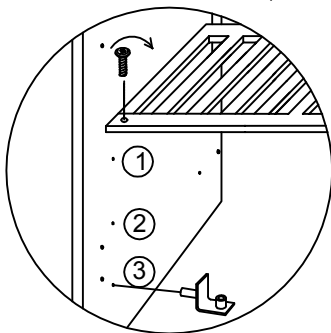
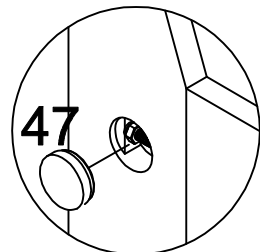
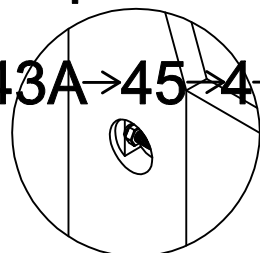
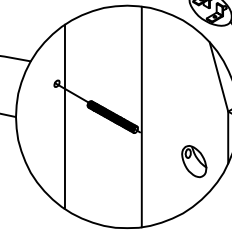
15 min.



1



43A → 45 → 4 → 5



NA DEMONTAGE DE LATTENBODEM
OPNIEUW VASTSCHROEVEN!

