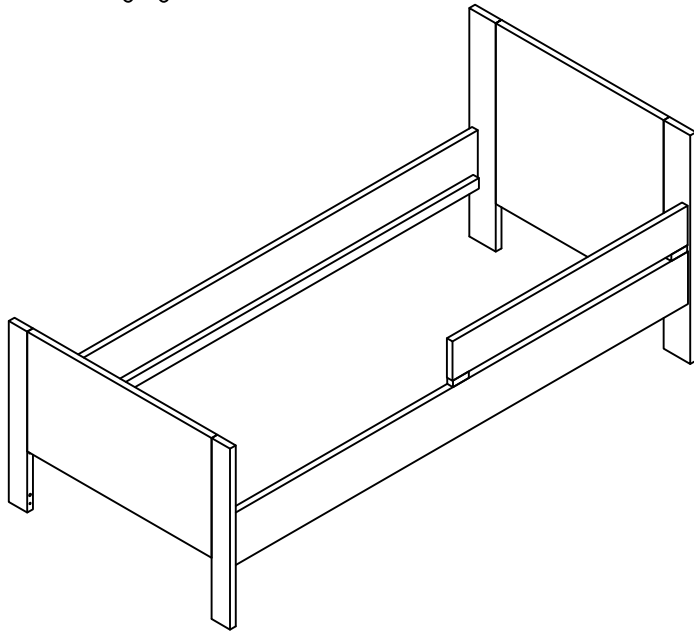


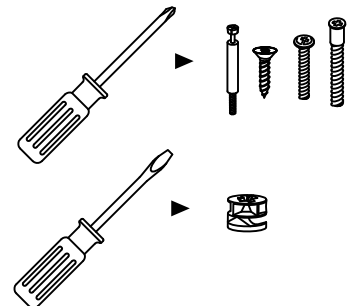
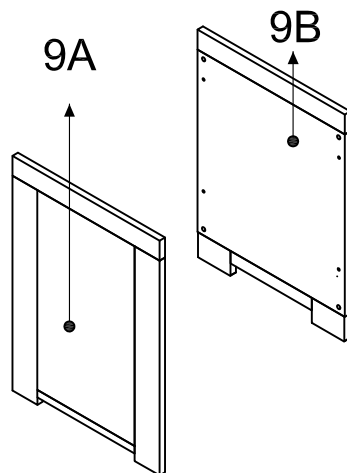
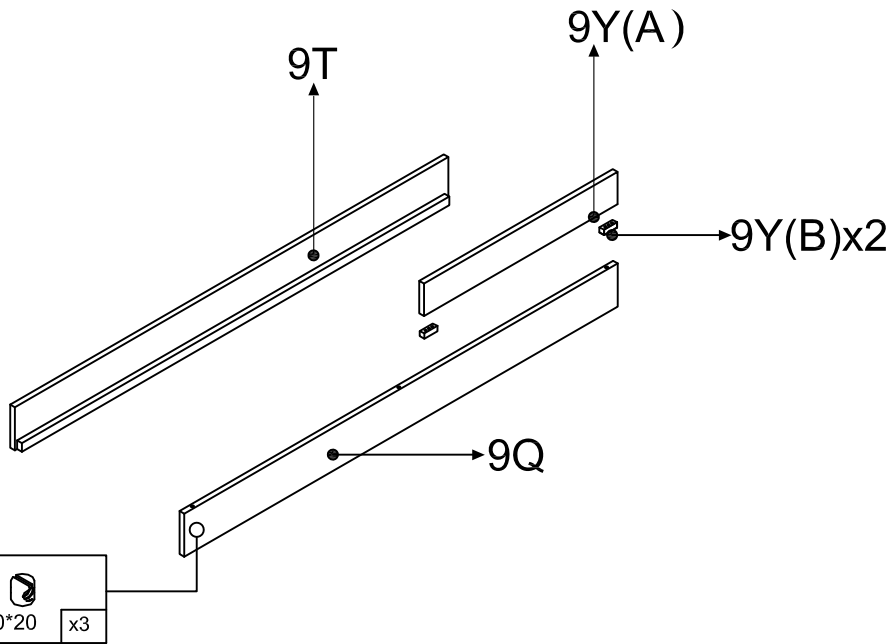
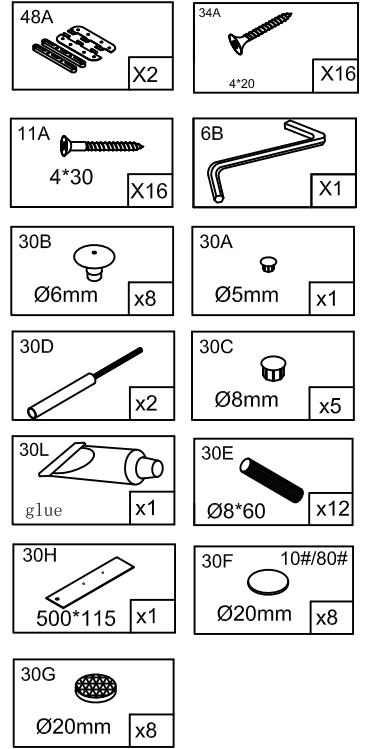
COMO

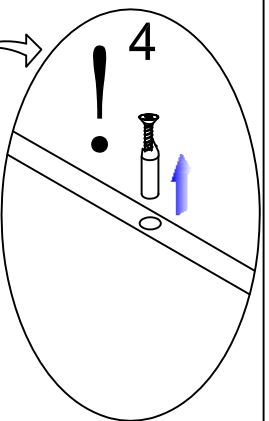
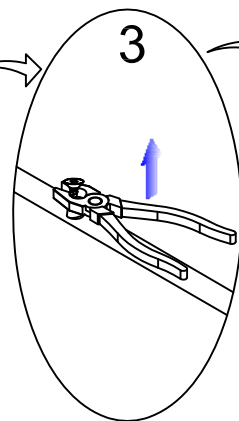
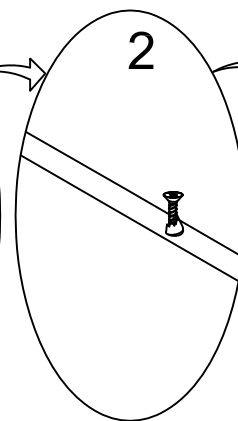
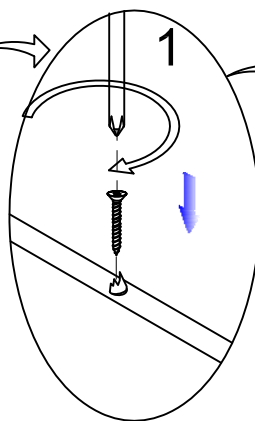
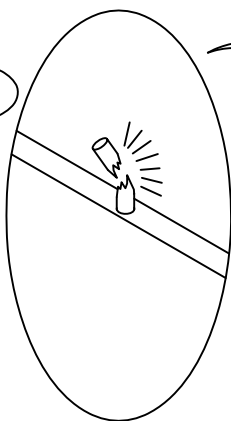
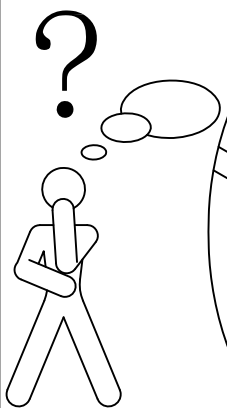
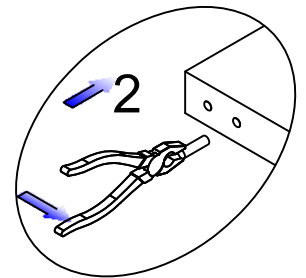
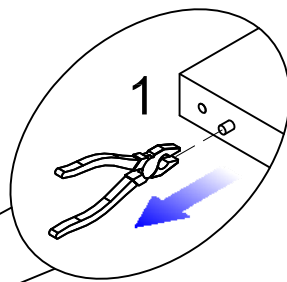
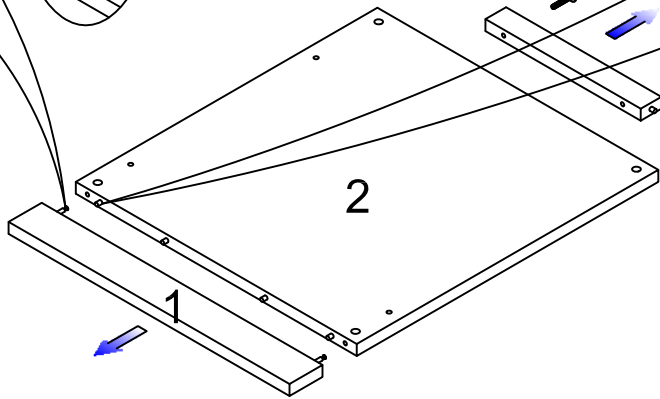
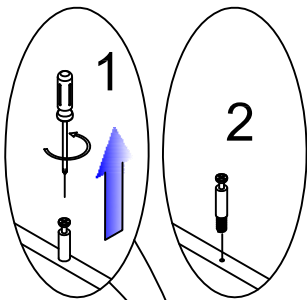
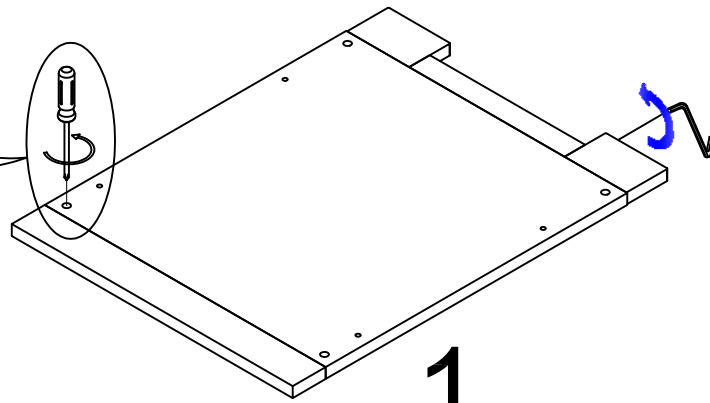
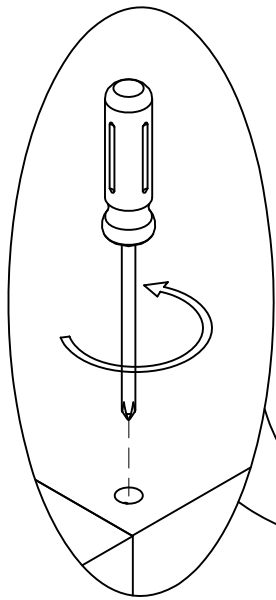
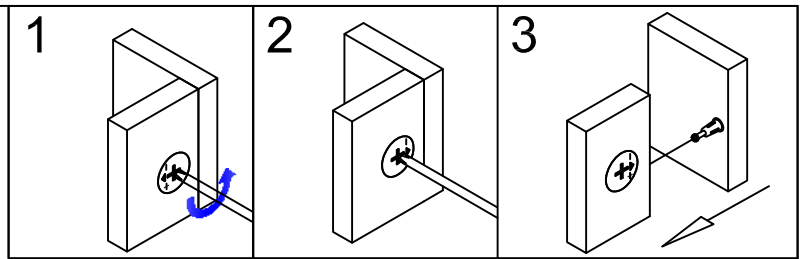
60 min. ▶

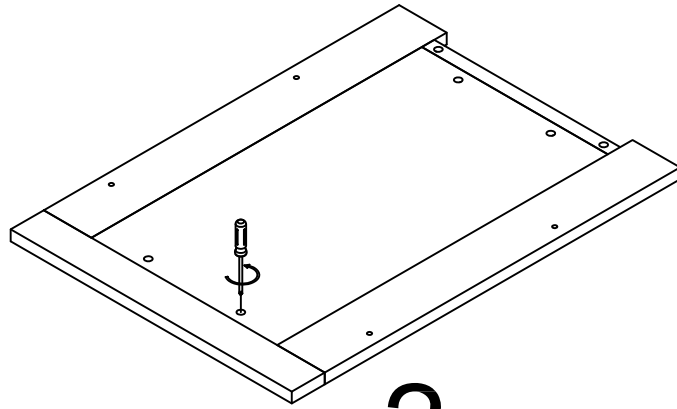


COM9310: 9T,9Q,9Y,9H

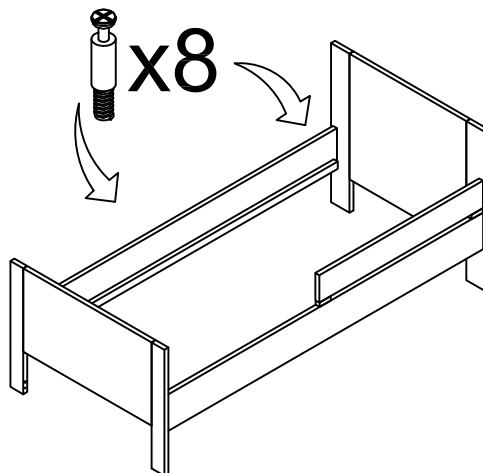
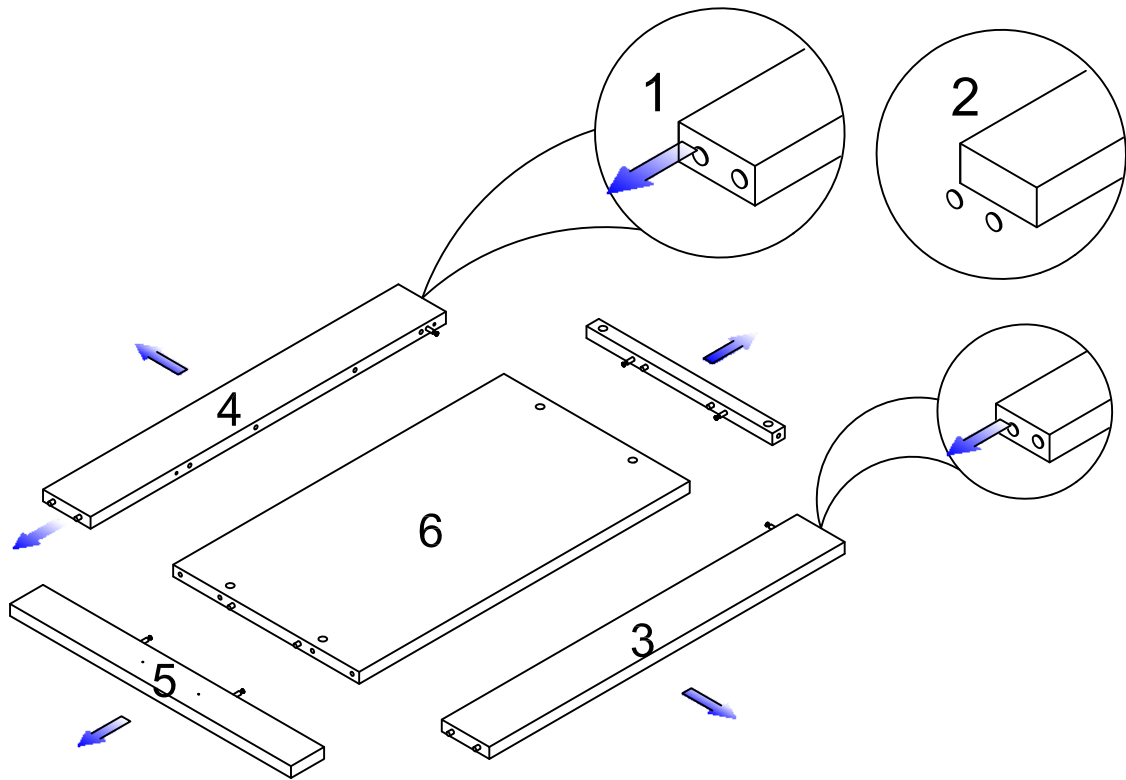
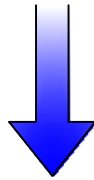
9H

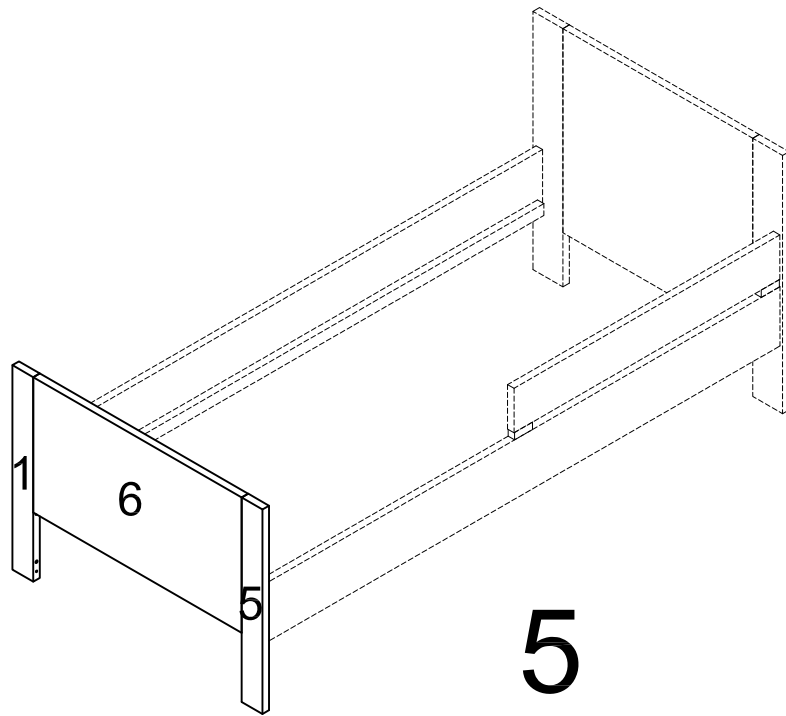




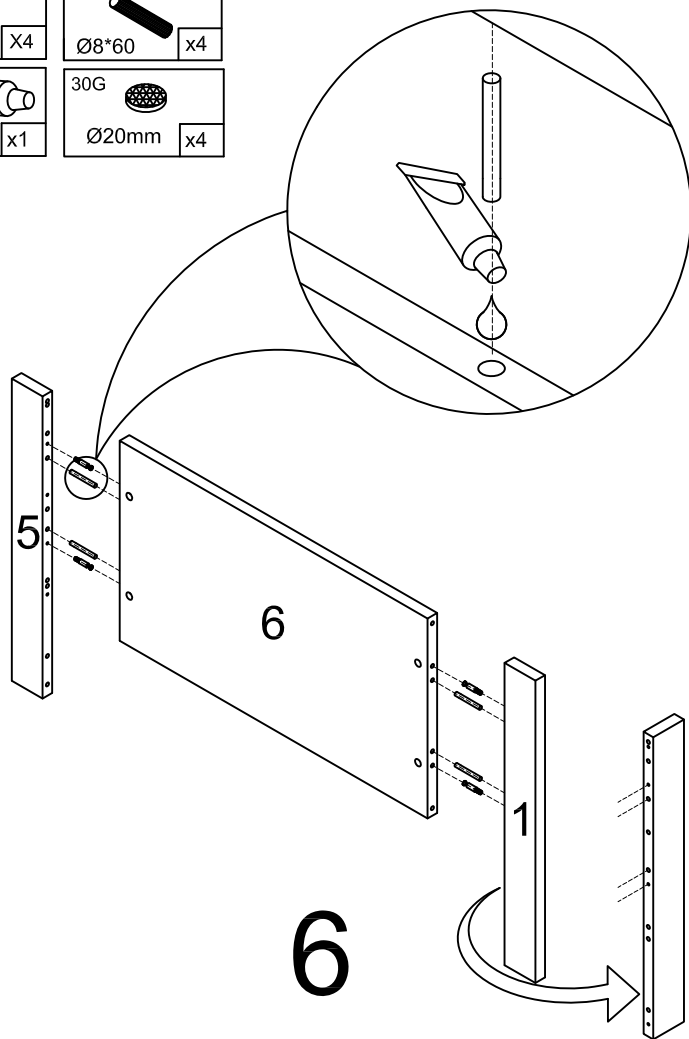
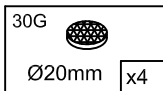
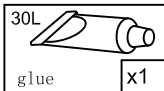
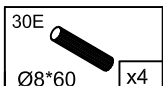
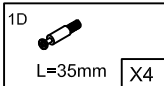


2

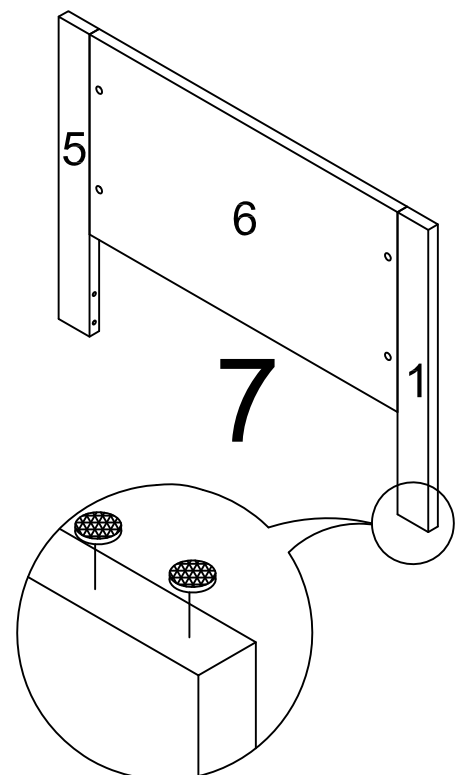




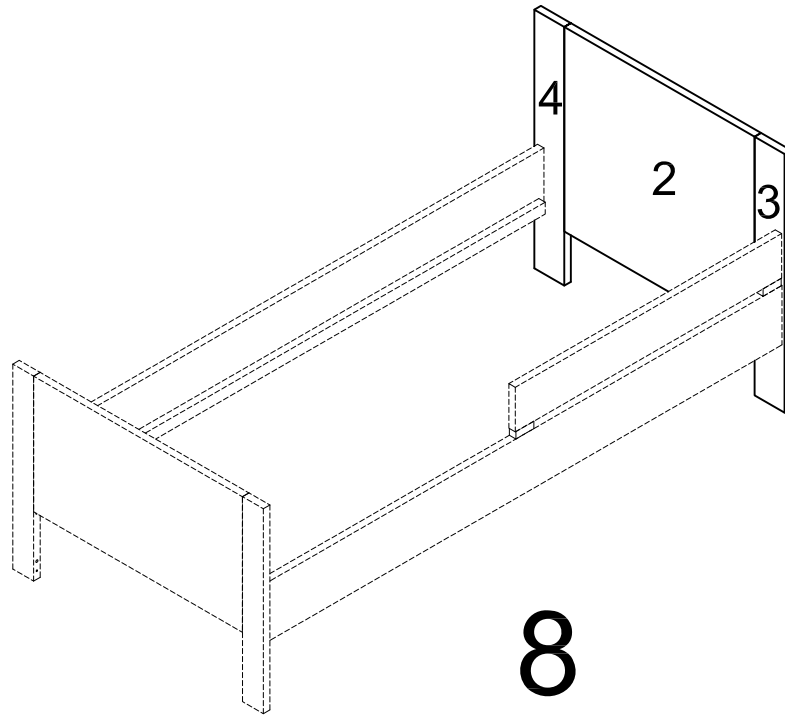
5



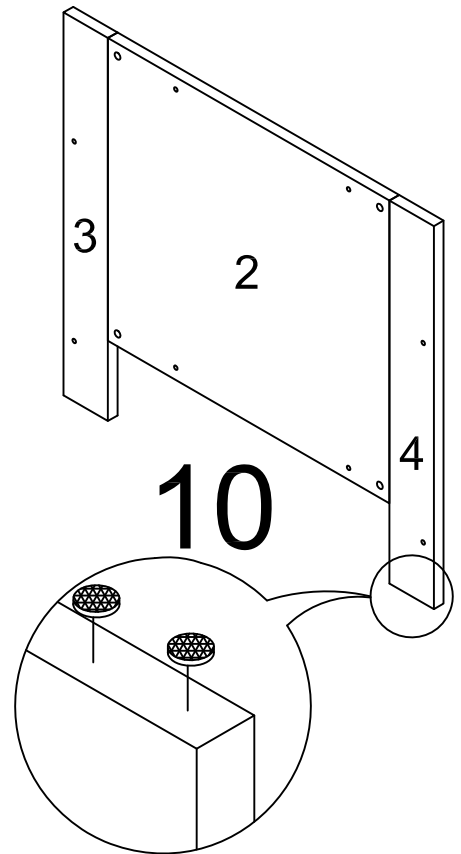
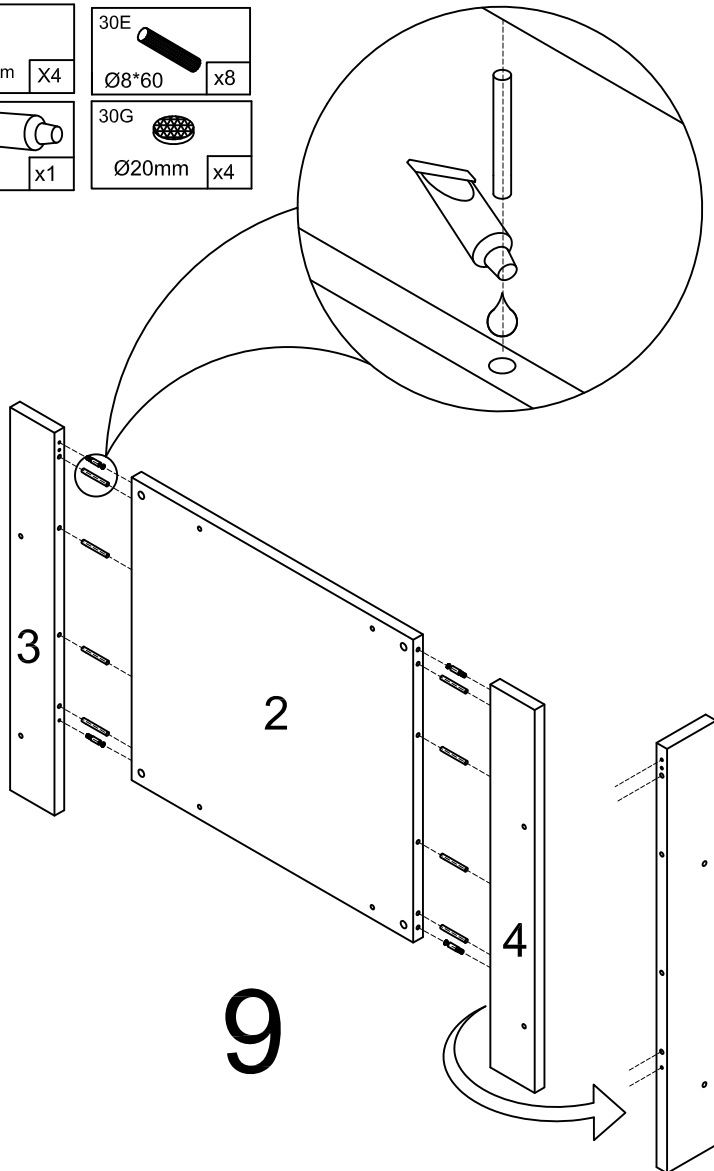
6

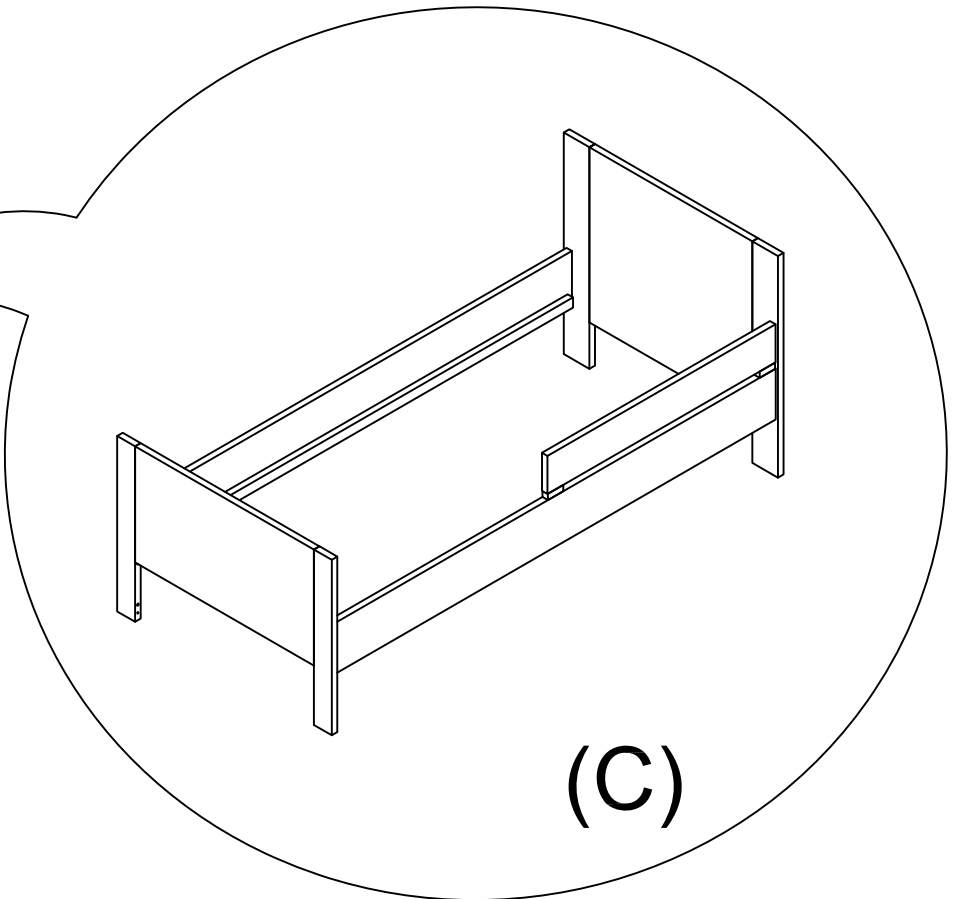
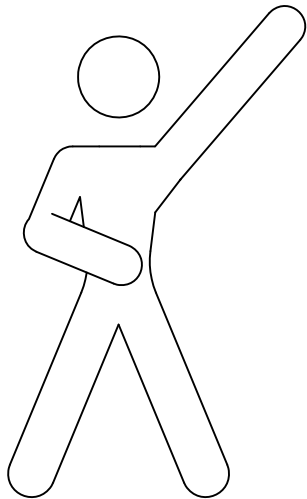
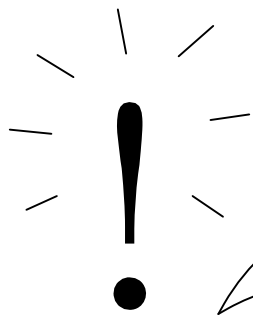
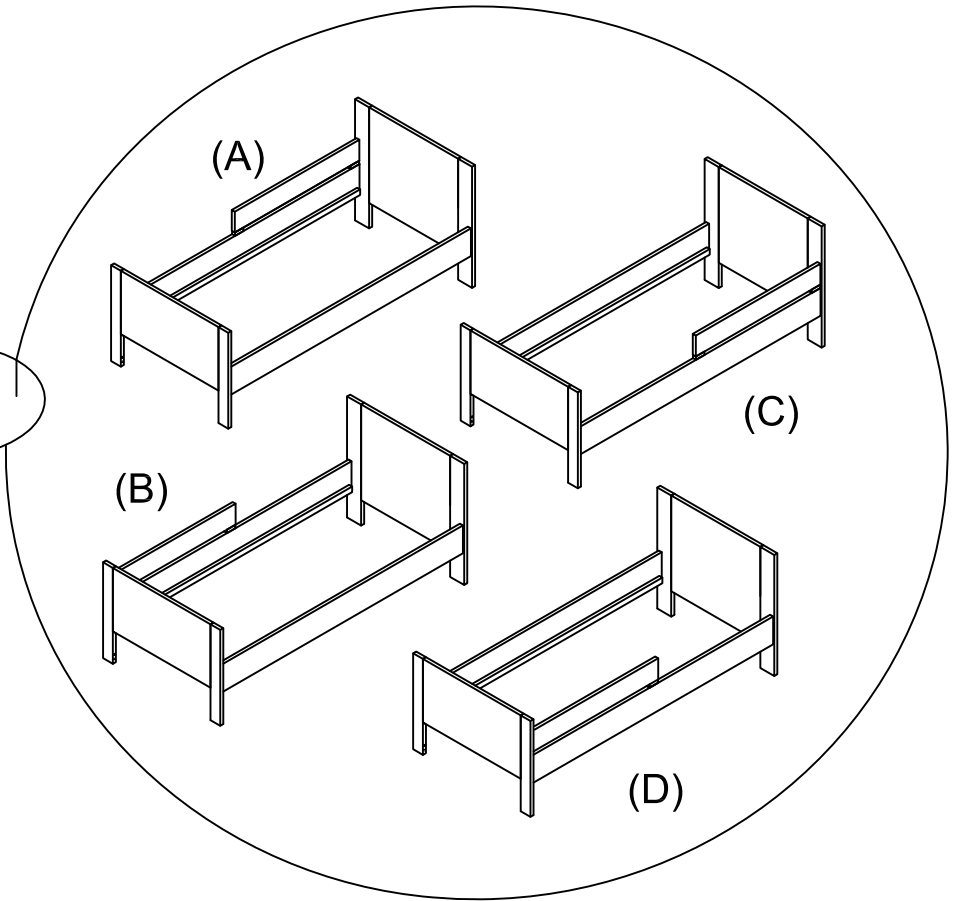
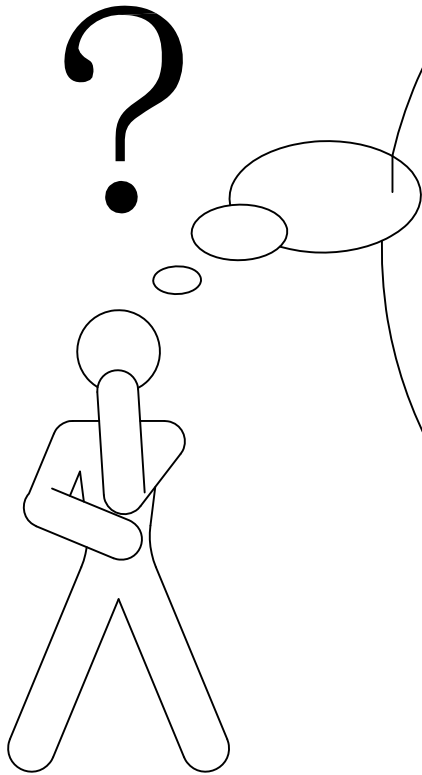


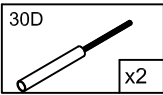
7



- | | |
|--------------------|--------------------|
| 1D
L=35mm
x4 | 30E
Ø8*60
x8 |
| 30L
glue
x1 | 30G
Ø20mm
x4 |



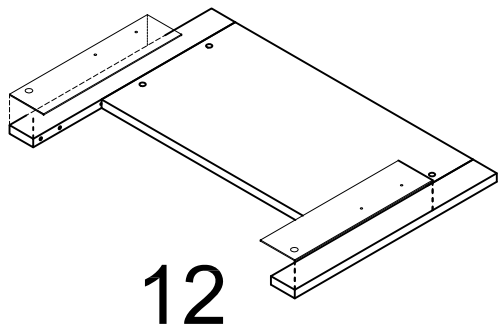
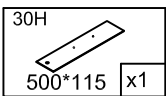
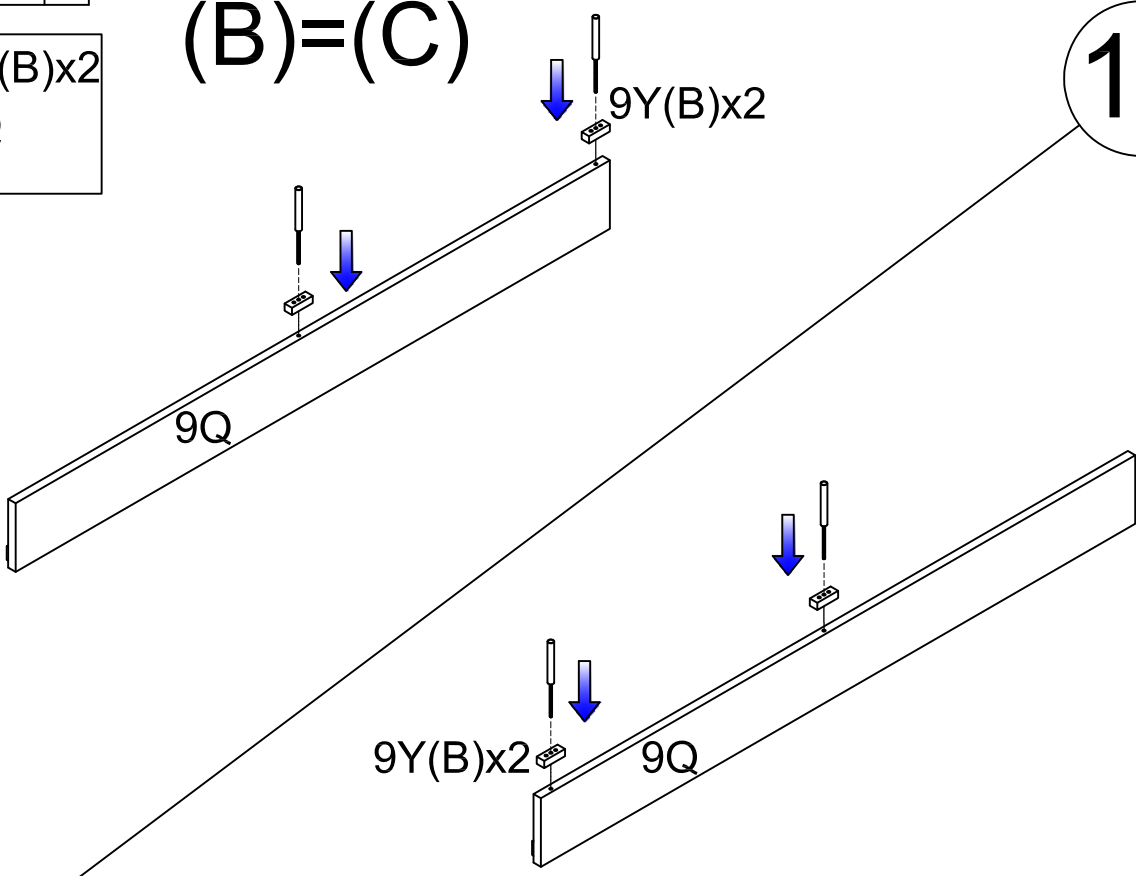




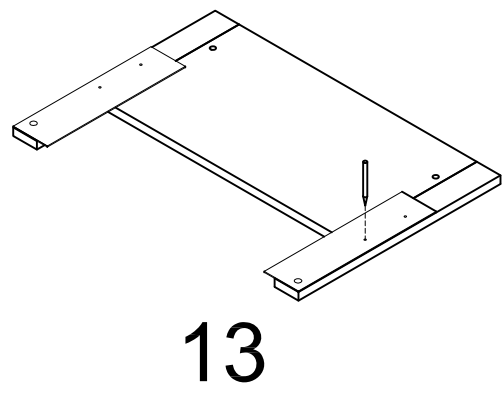
9Y(B)x2
9Q

(B)=(C)

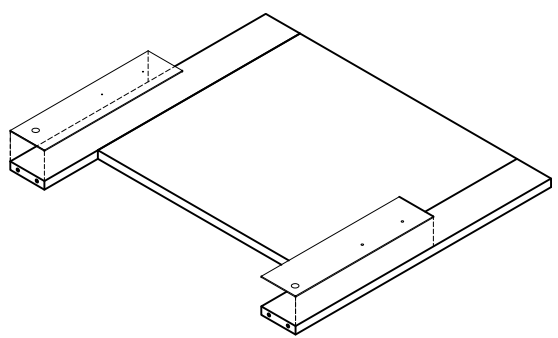
11



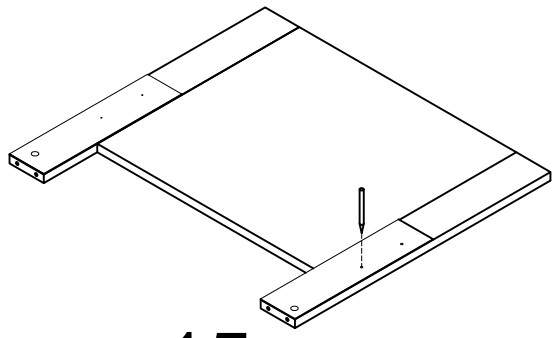
12



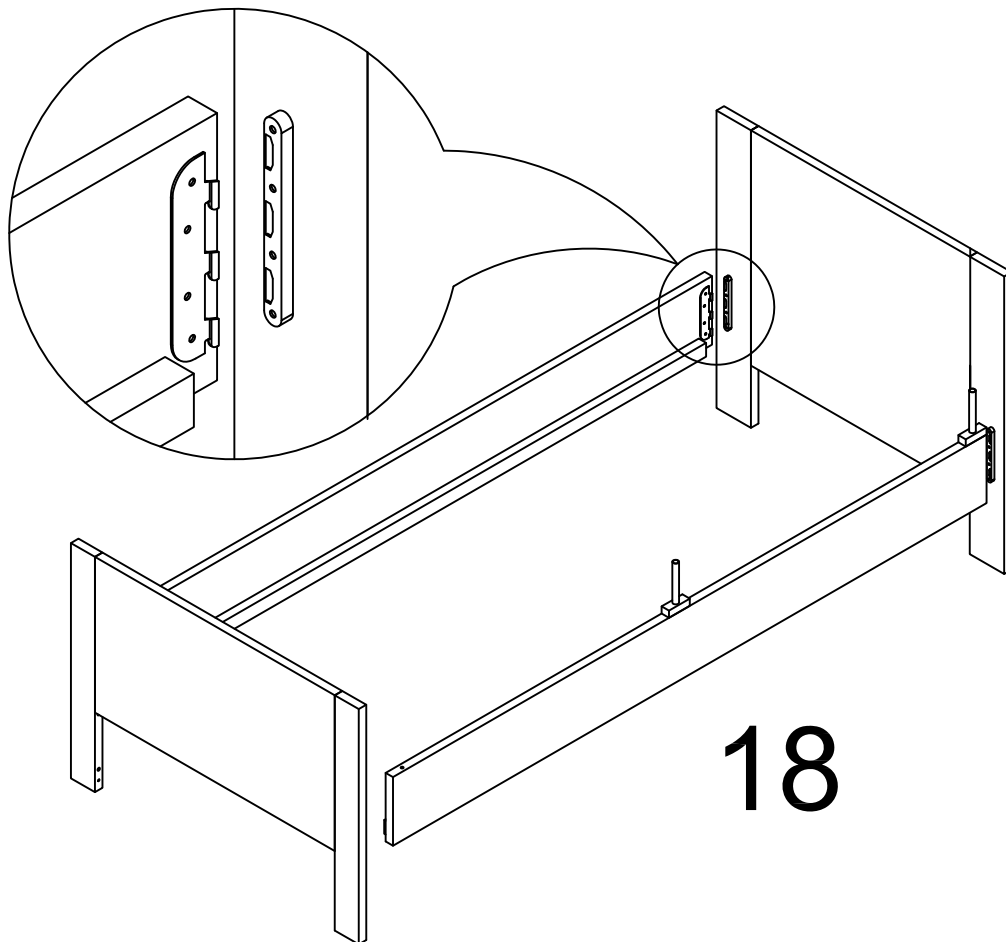
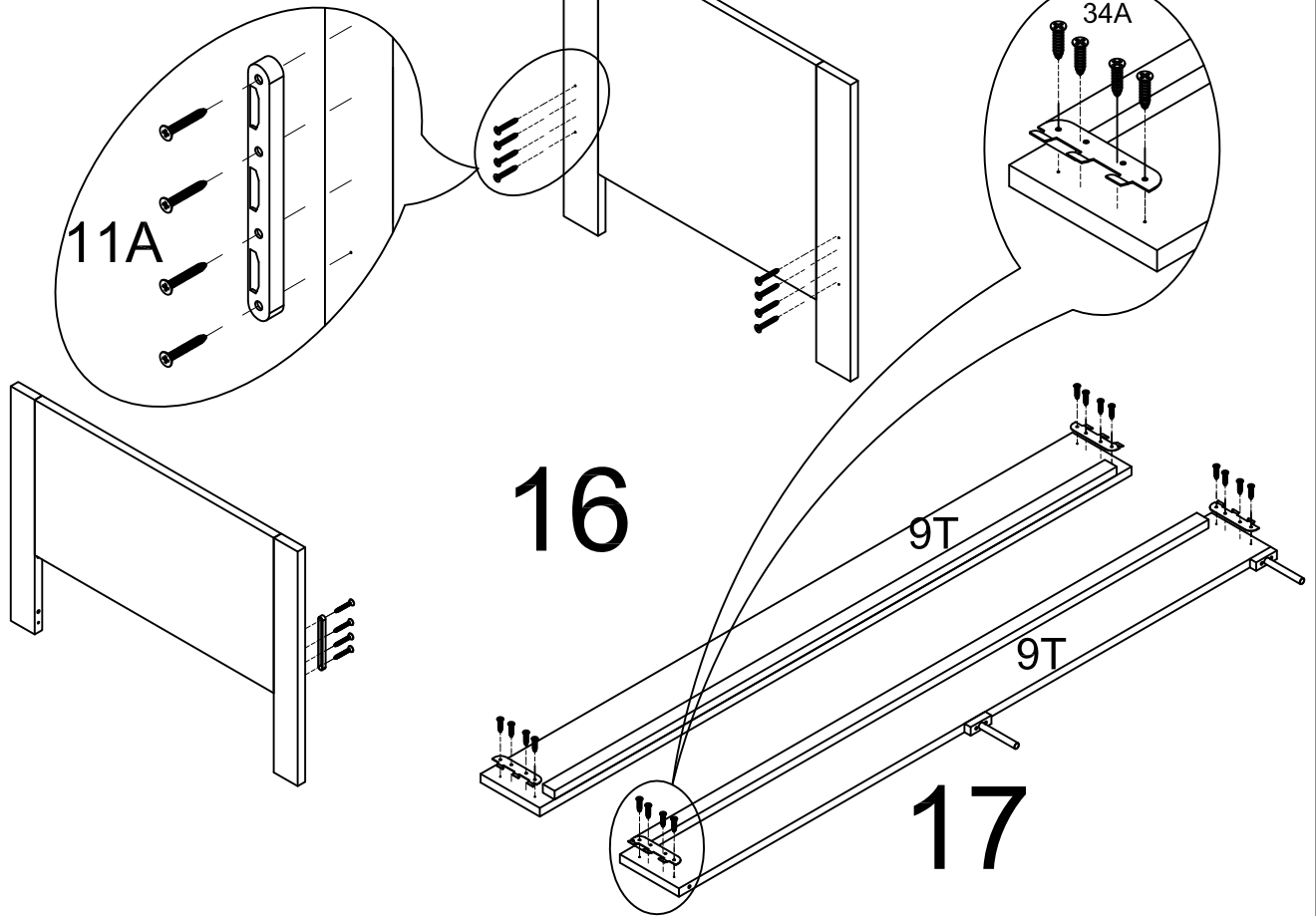
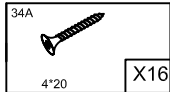
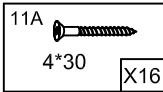
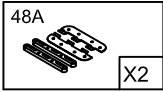
13



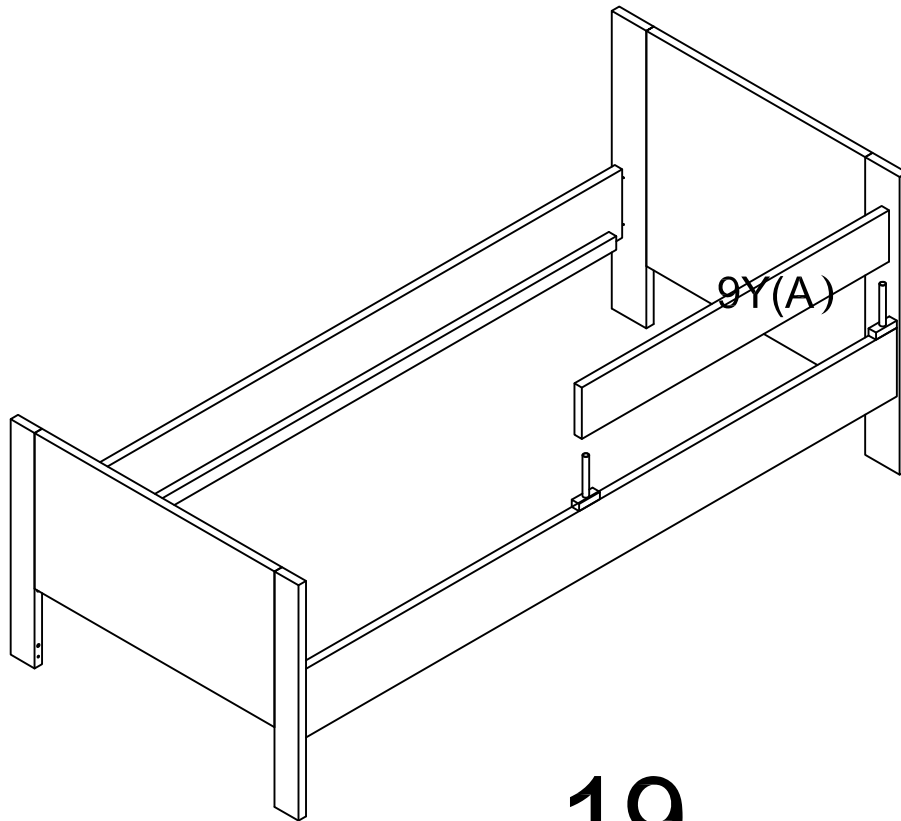
14



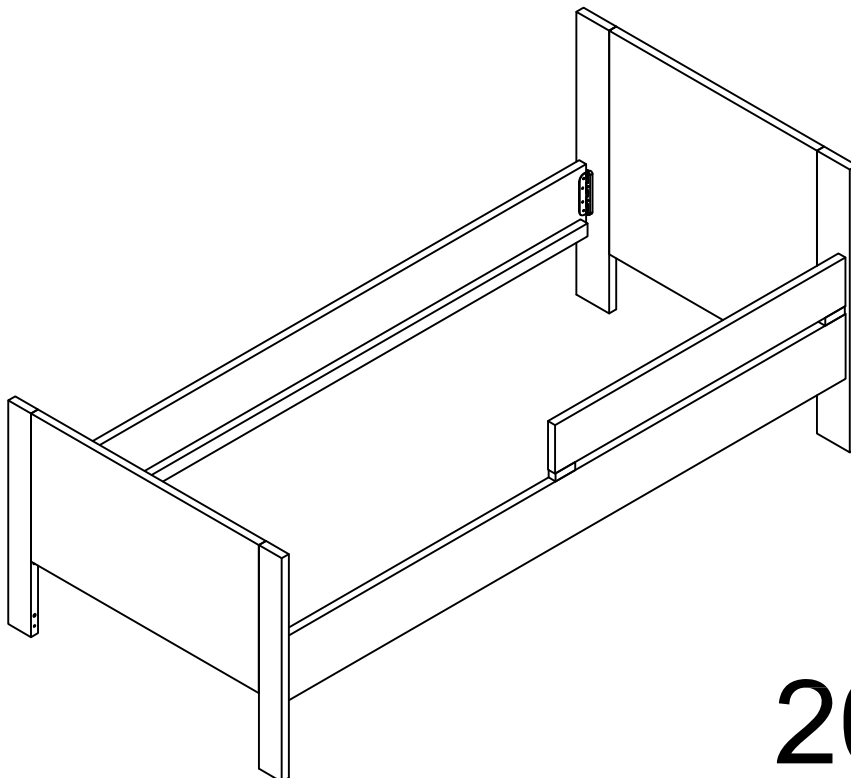
15



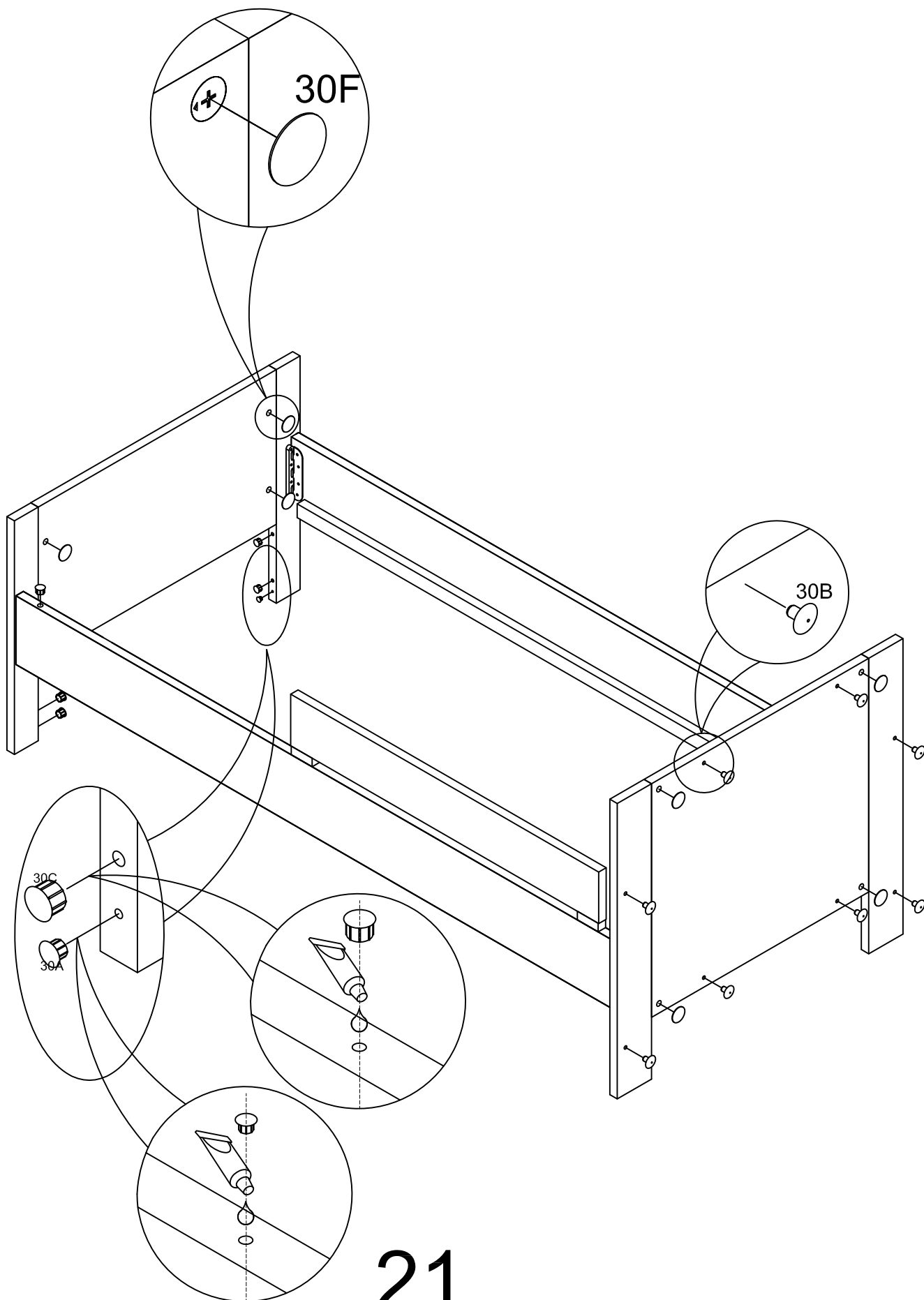
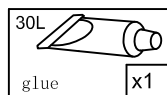
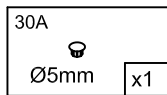
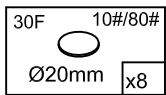
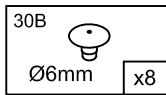
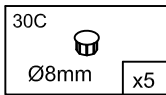
9Y(A)



19



20



21