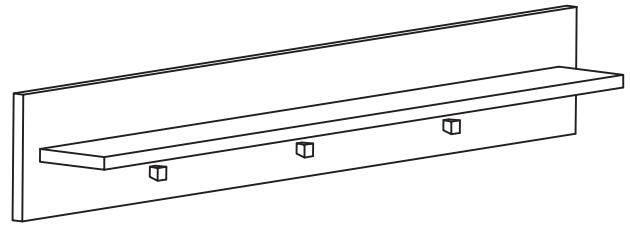







STOCKHOLM

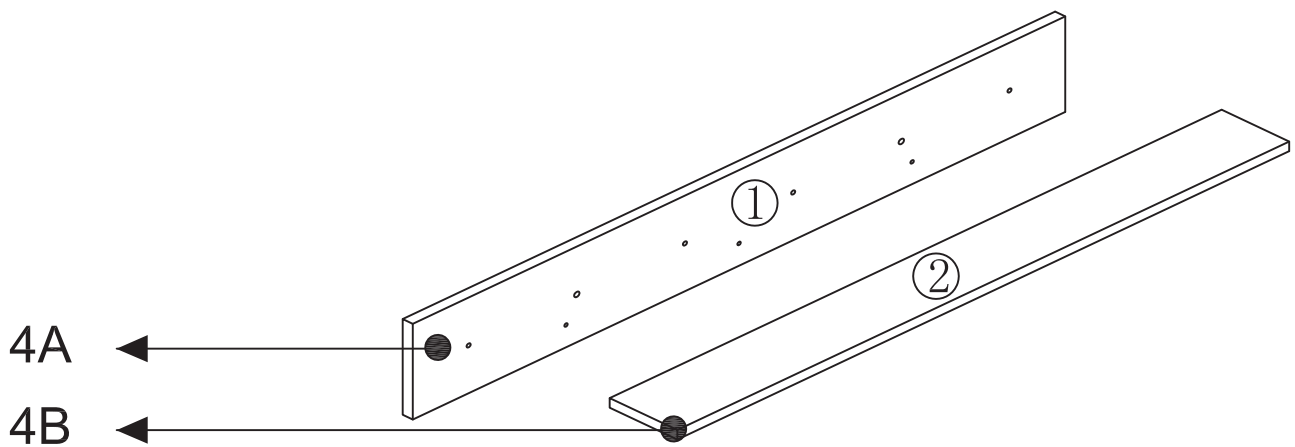
10 min. ▶



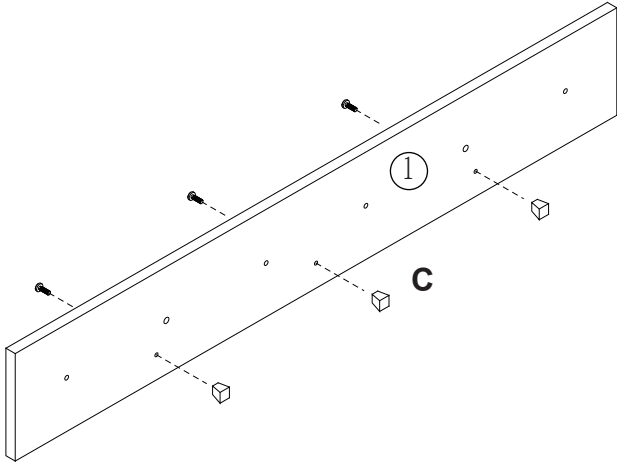
STC4111: 4A,4B,4K

4K

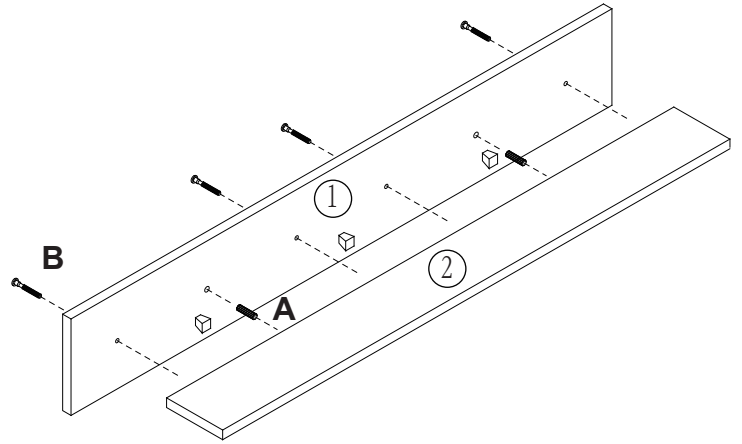
202  8x30MM A x2	31  5x40MM B x4	47J  4x19MM C x3	7C  3.5x12MM D x4	220  E x2	
--	--	---	--	---	--



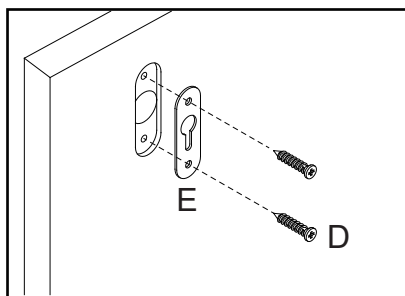
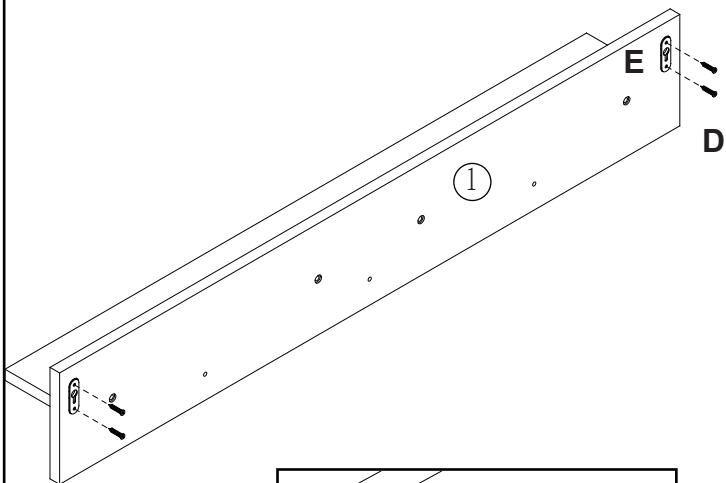
1



2



3



4

