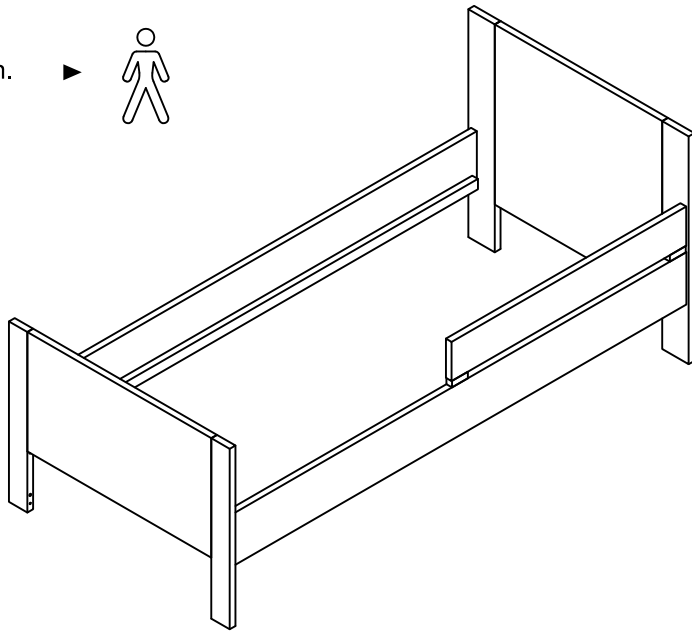
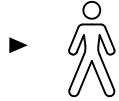


CALGARY

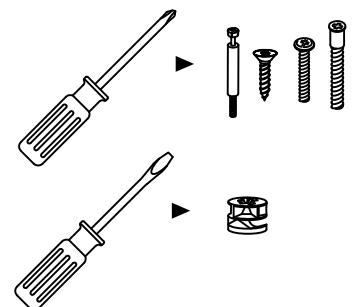
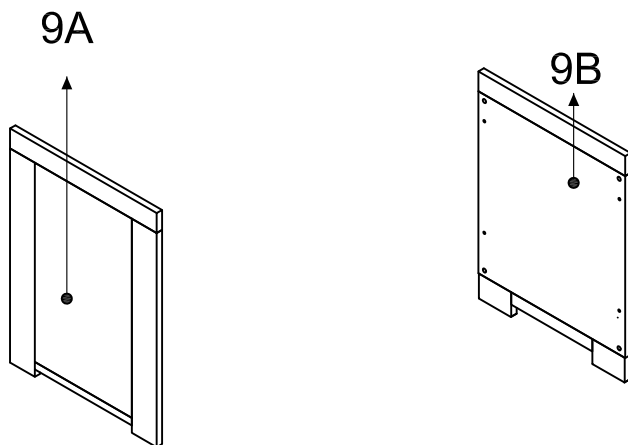
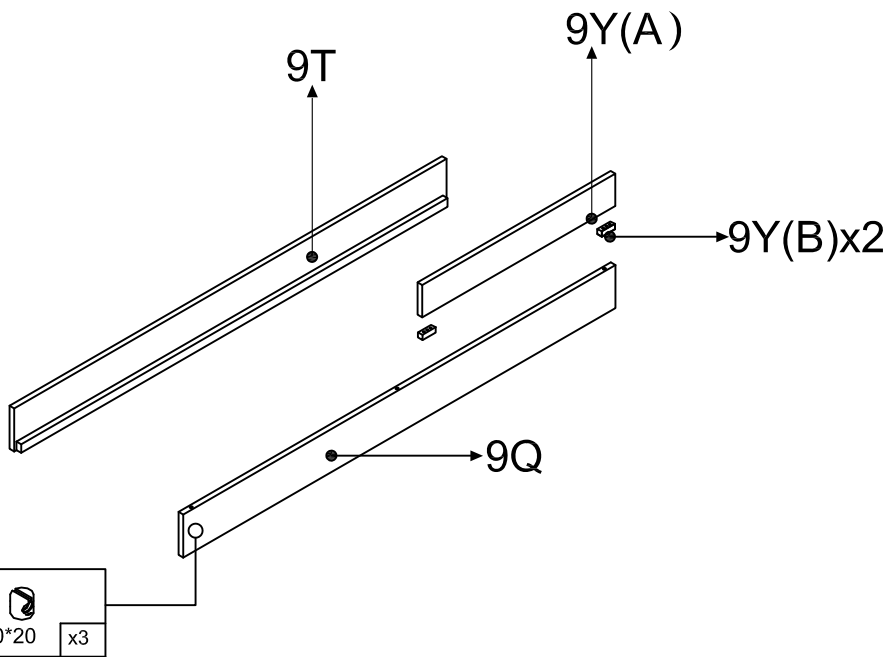
60 min.

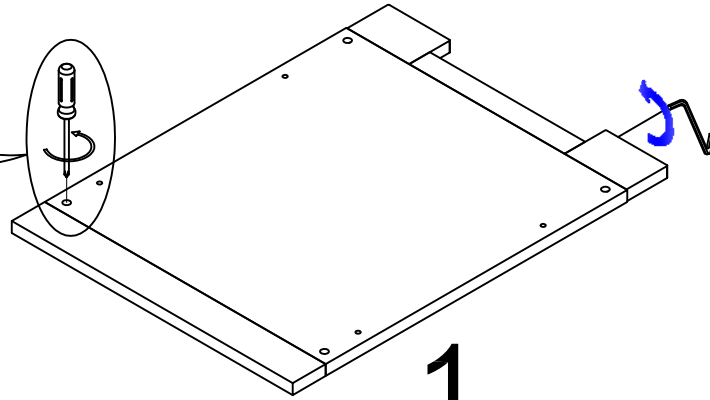
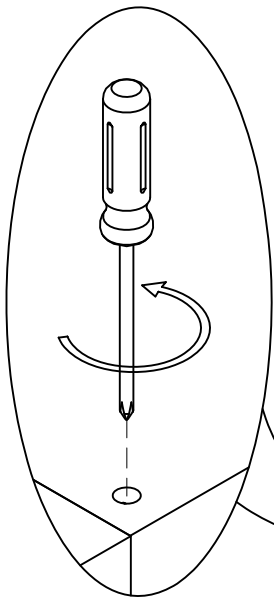
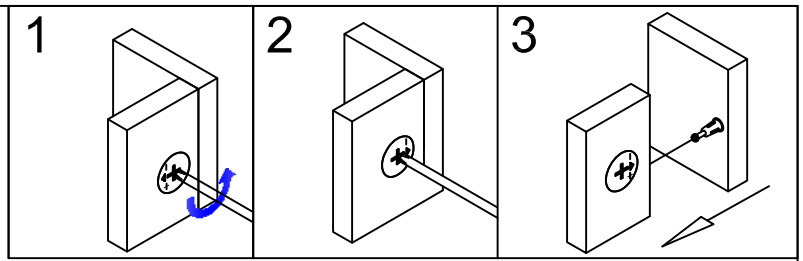


CAL9310: 9T,9Q,9Y,9H

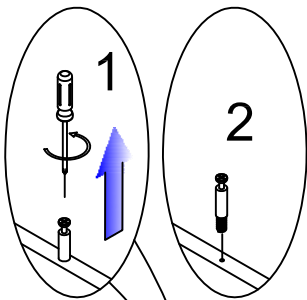
9H

- 48A X2
- 34A 4*20 X16
- 11A 4*30 X16
- 6B X1
- 30B Ø6mm X8
- 30A Ø5mm X1
- 30D X2
- 30C Ø8mm X5
- 30L glue X1
- 30E Ø8*60 X12
- 30H 500*115 X1
- 30F 10#/80# Ø20mm X8
- 30G Ø20mm X8



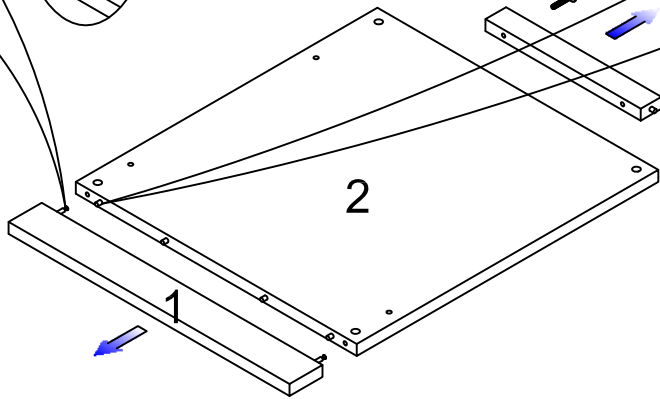


1



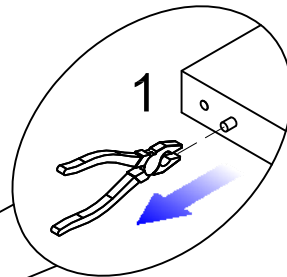
1

2

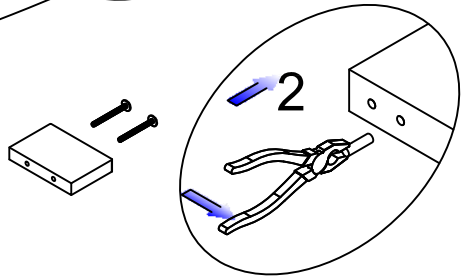


2

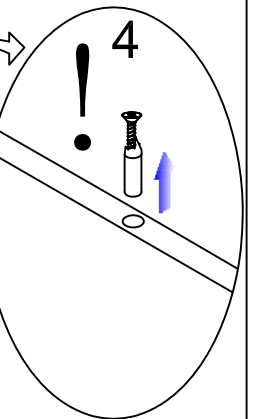
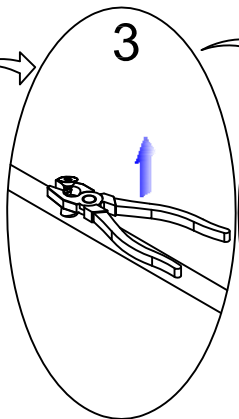
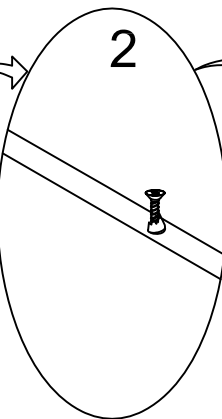
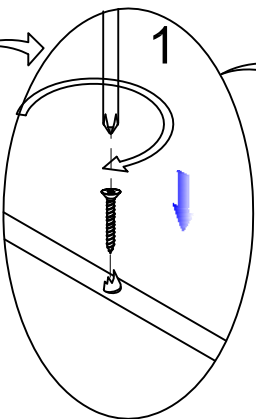
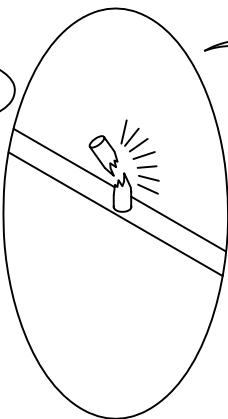
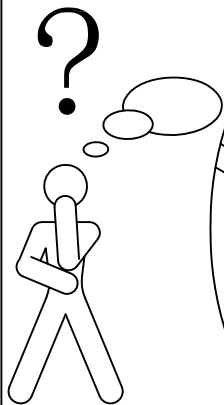
1

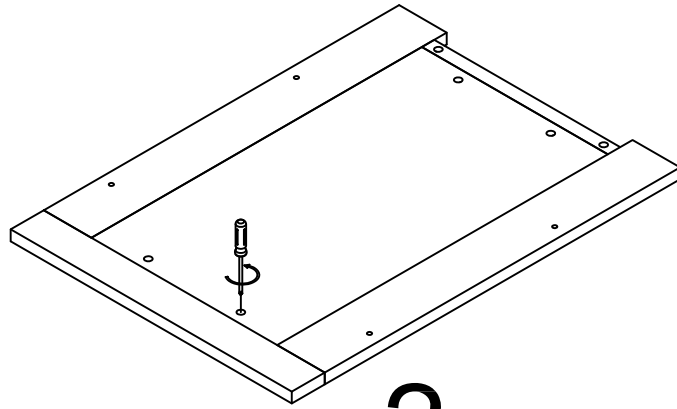


1

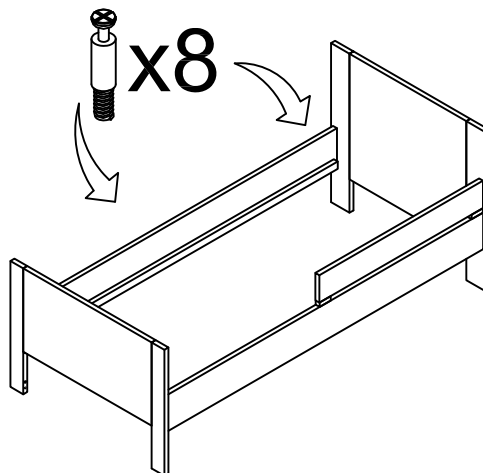
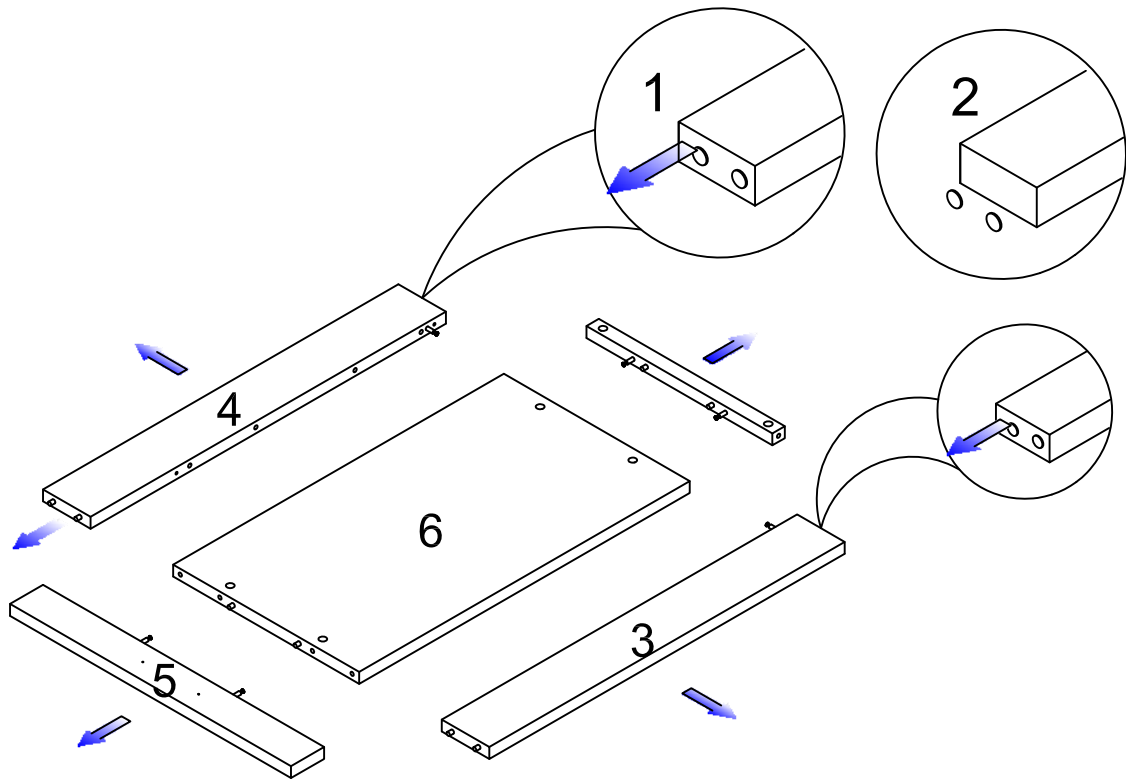
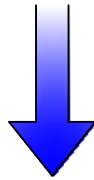


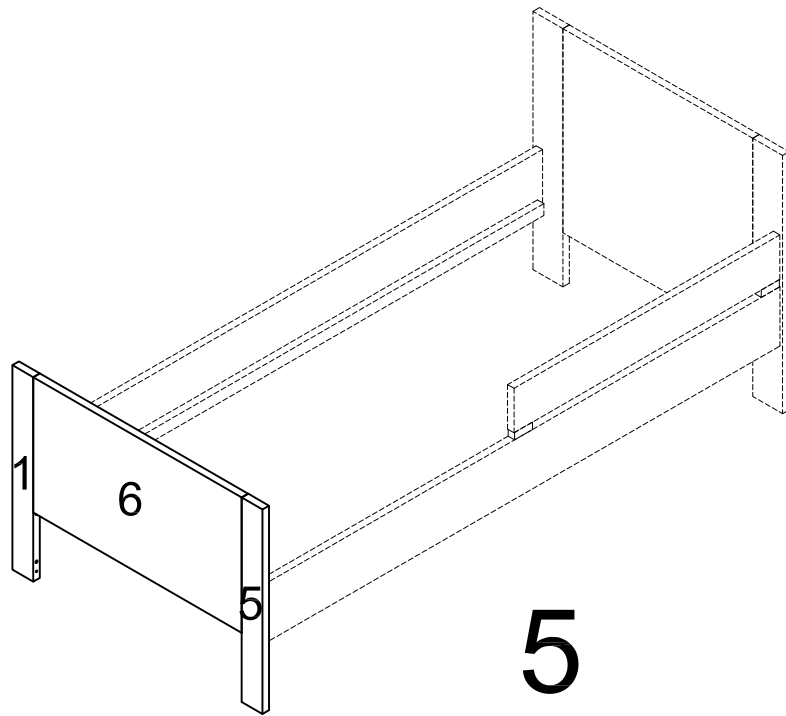
2



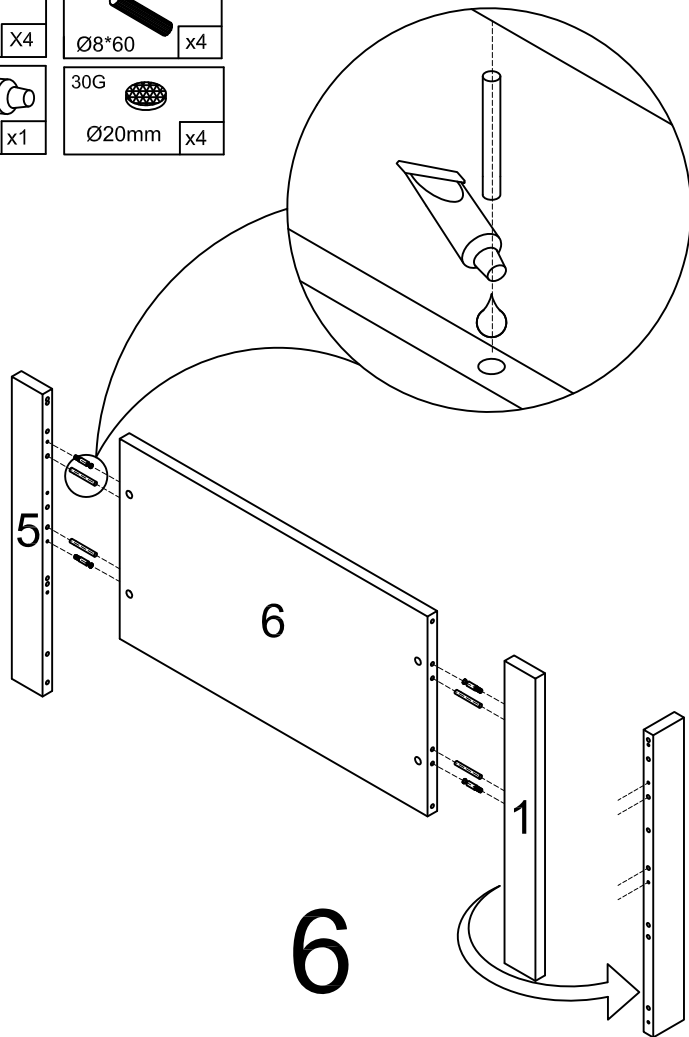
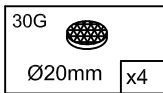
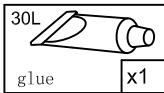
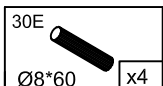
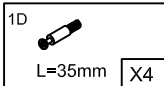


2

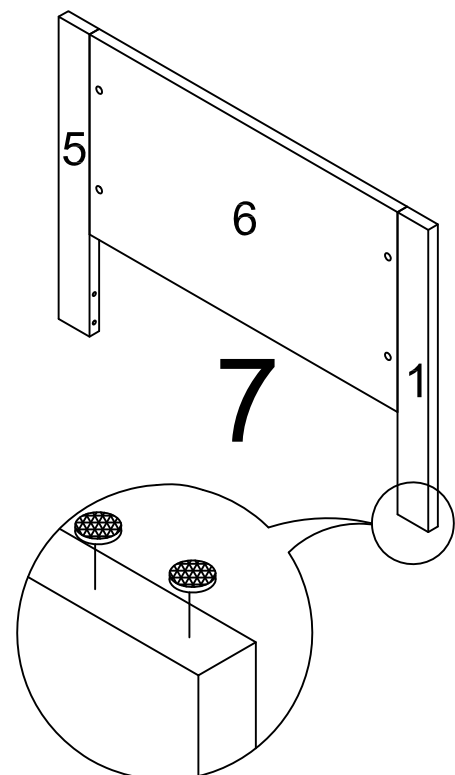




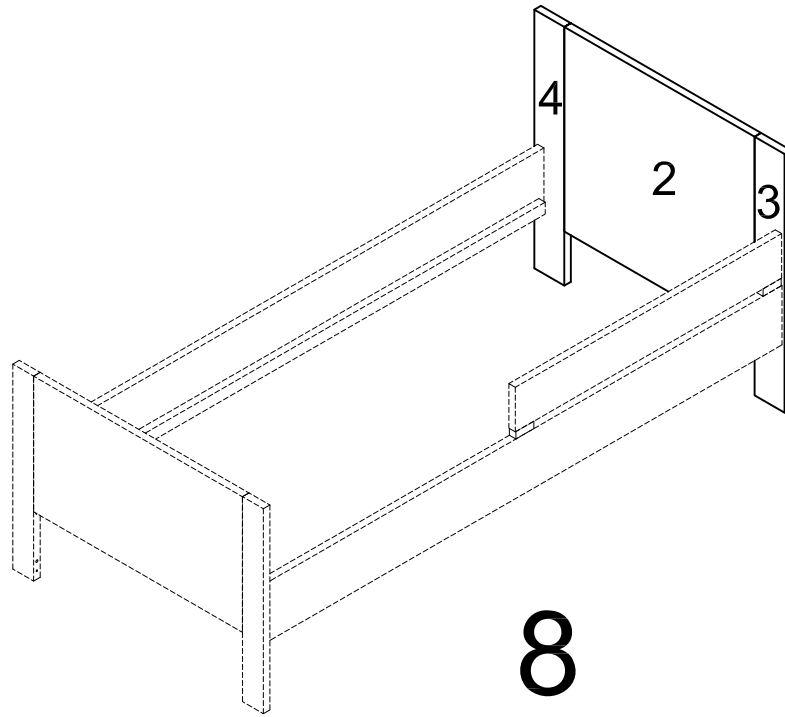
5



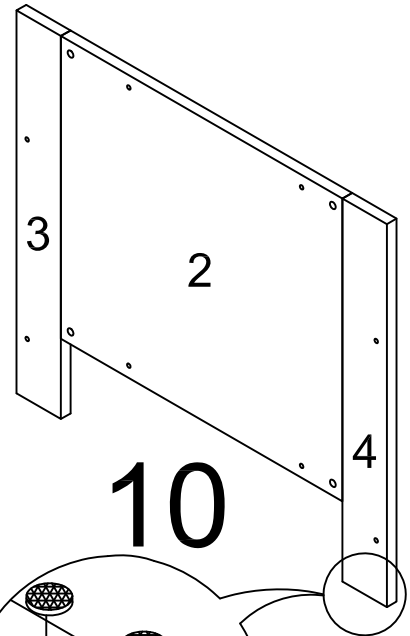
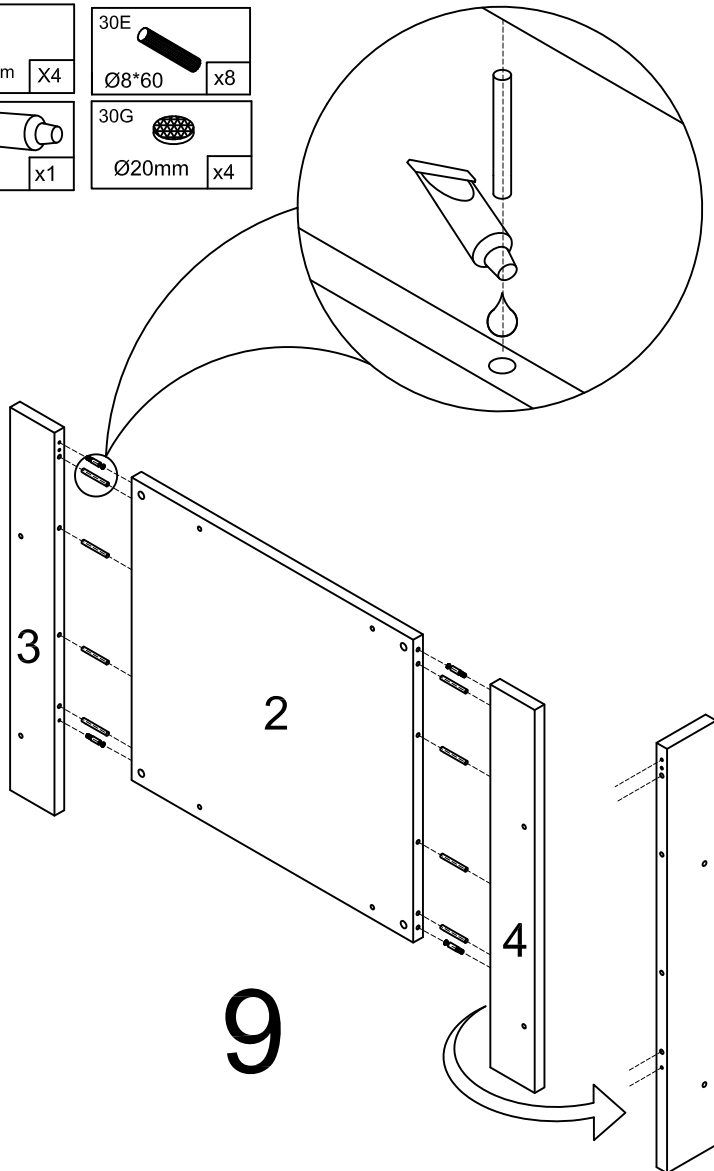
6

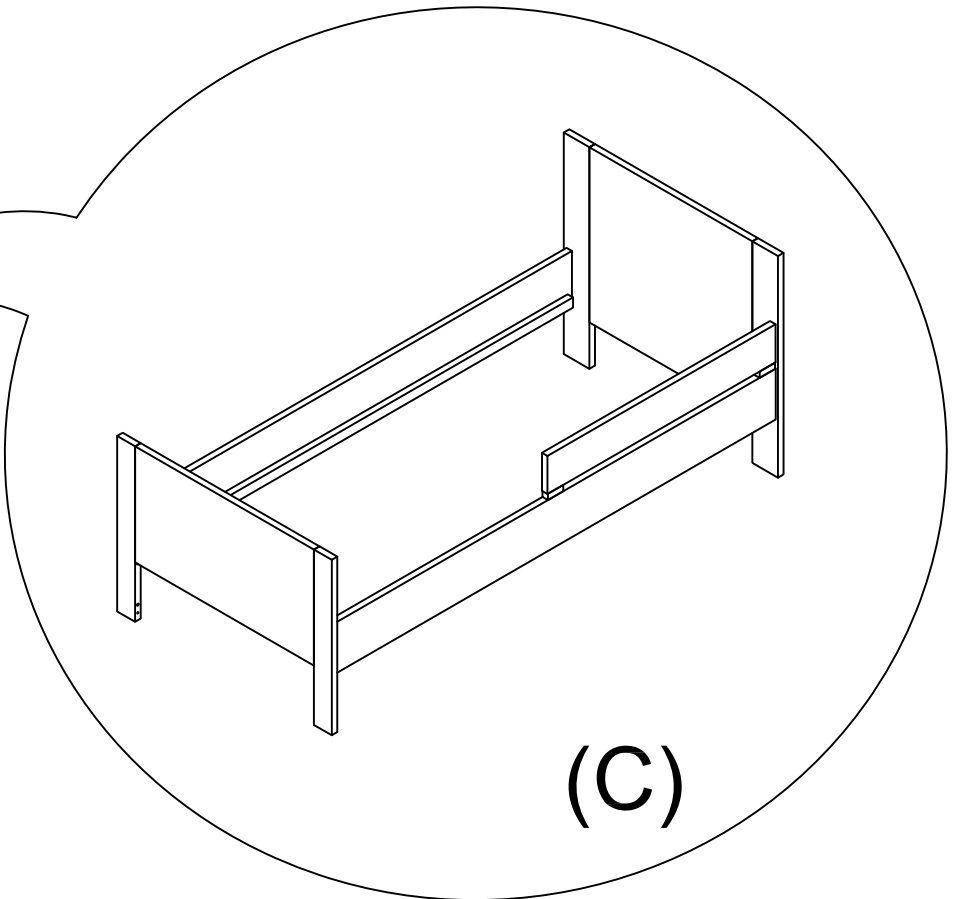
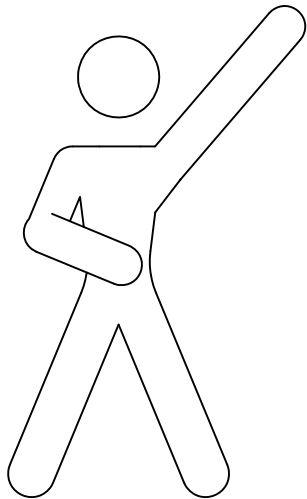
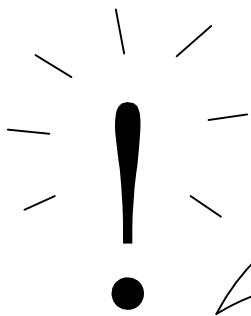
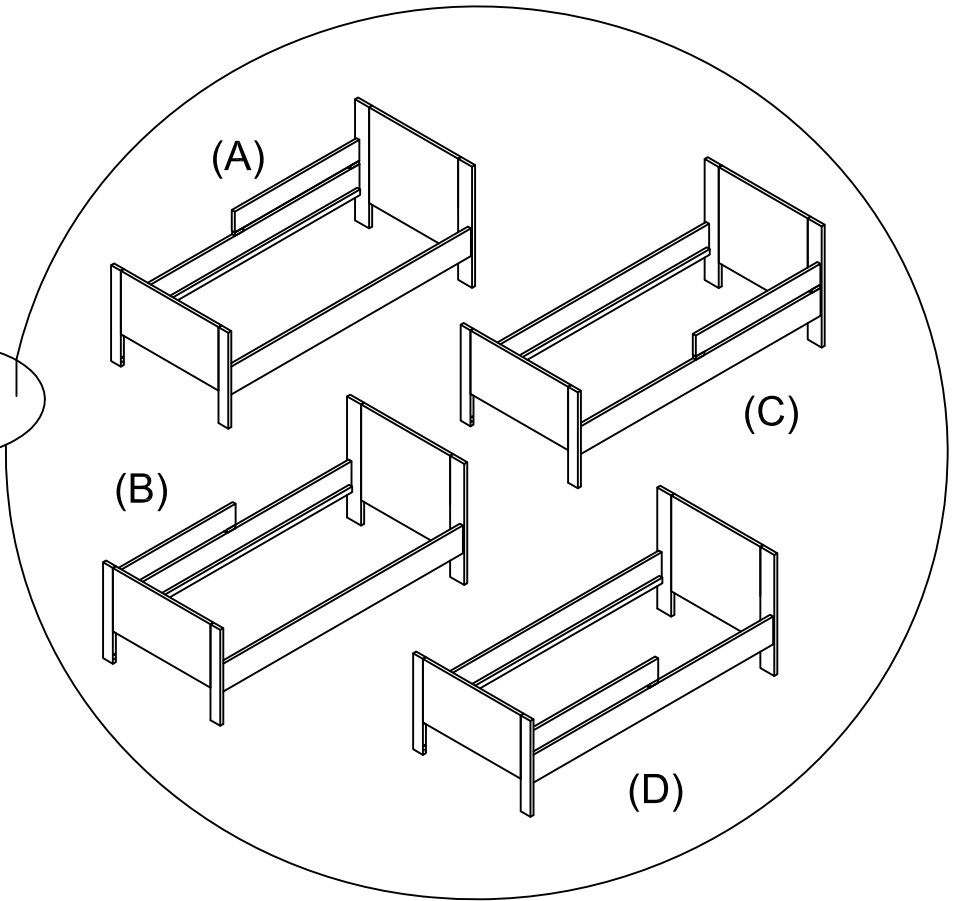
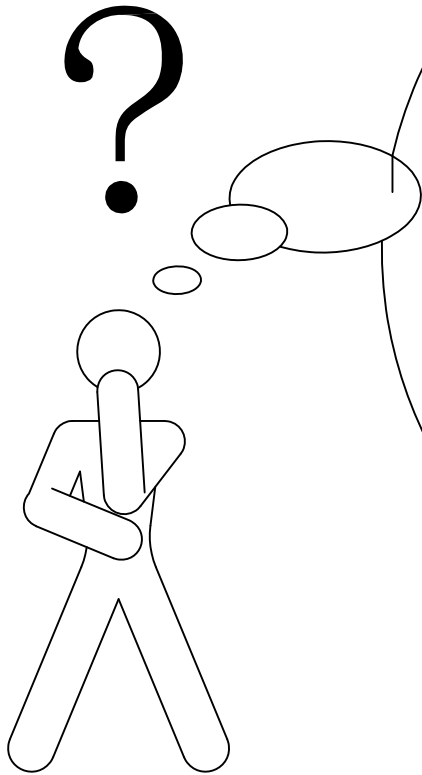


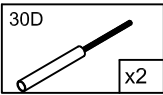
7



- | | |
|--------------------|--------------------|
| 1D
L=35mm
x4 | 30E
Ø8*60
x8 |
| 30L
glue
x1 | 30G
Ø20mm
x4 |



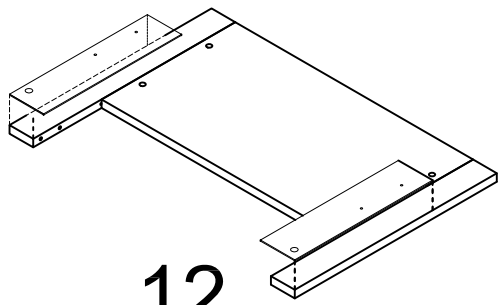
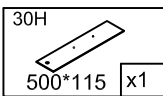
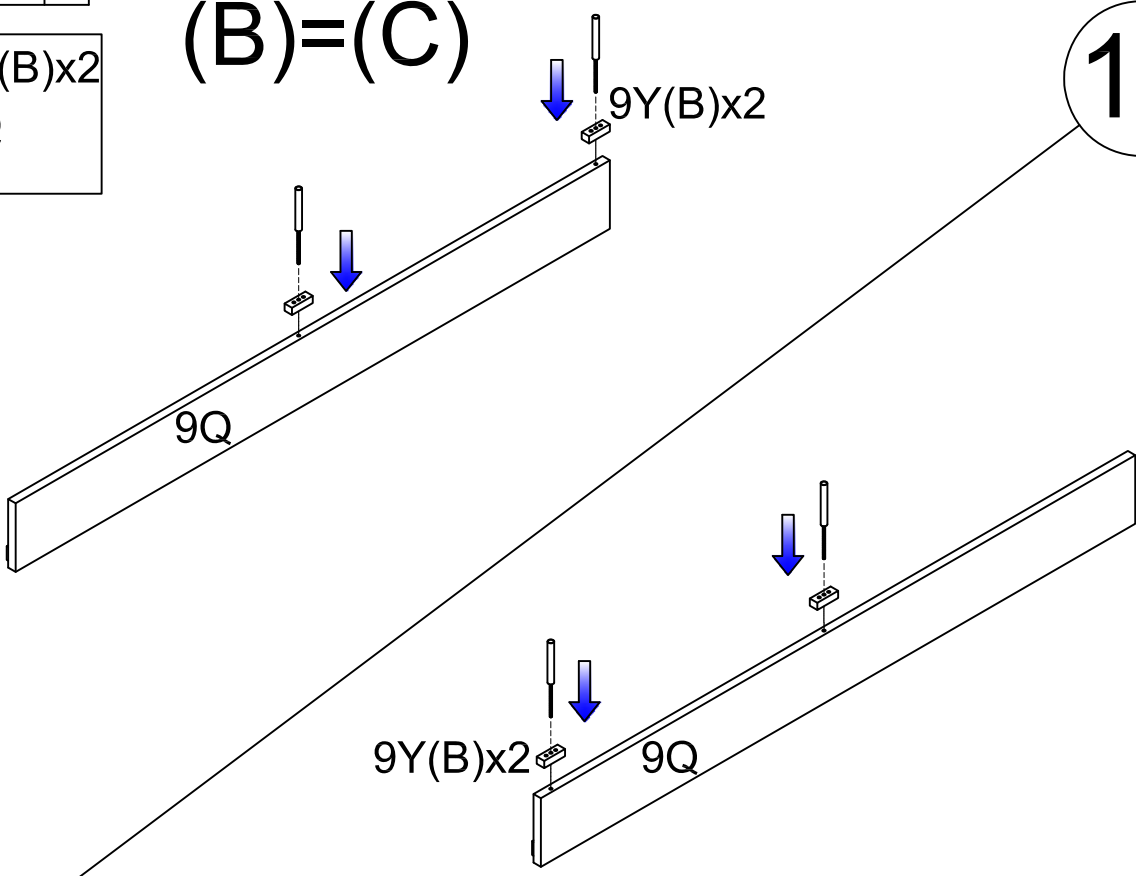




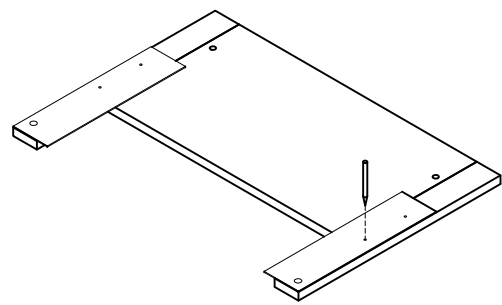
9Y(B)x2
9Q

(B)=(C)

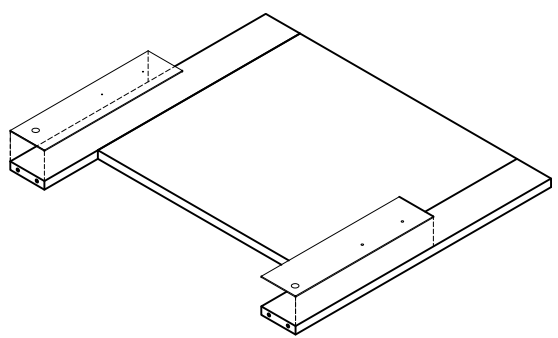
11



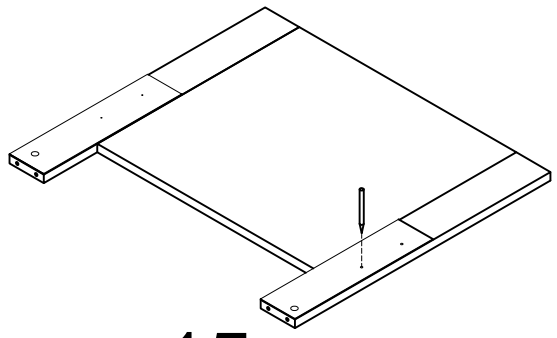
12



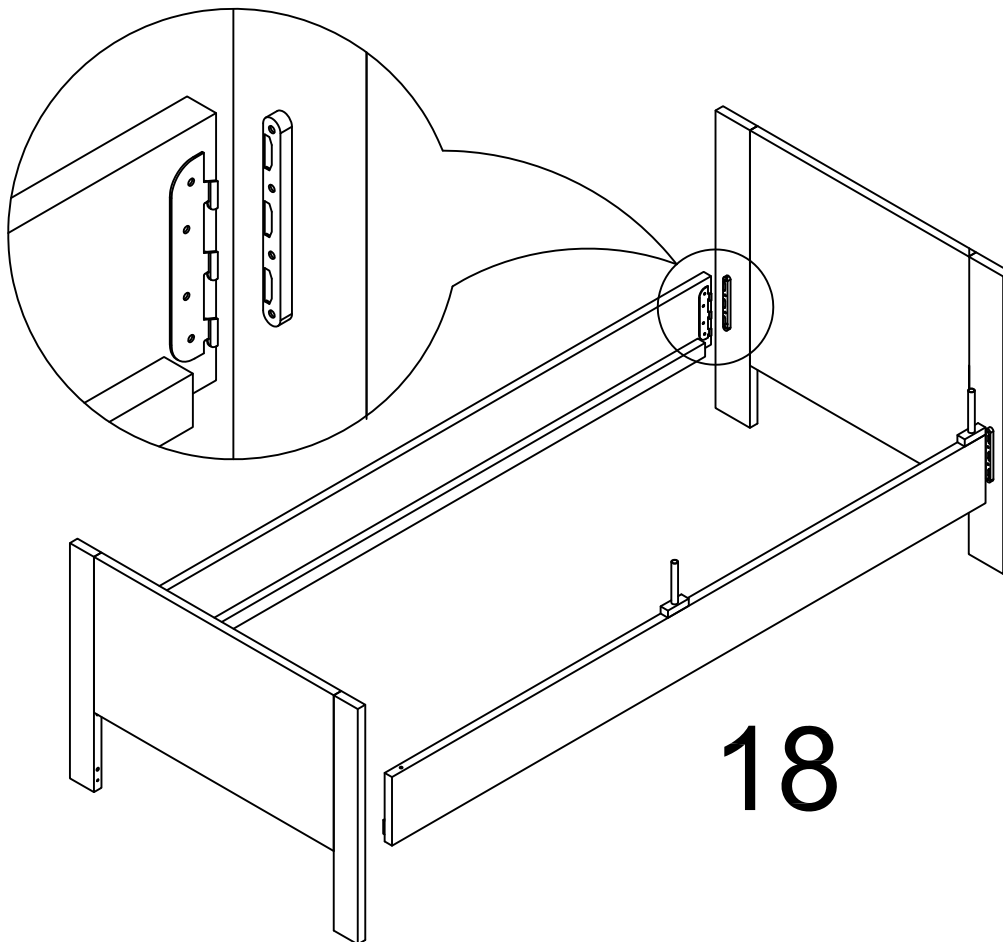
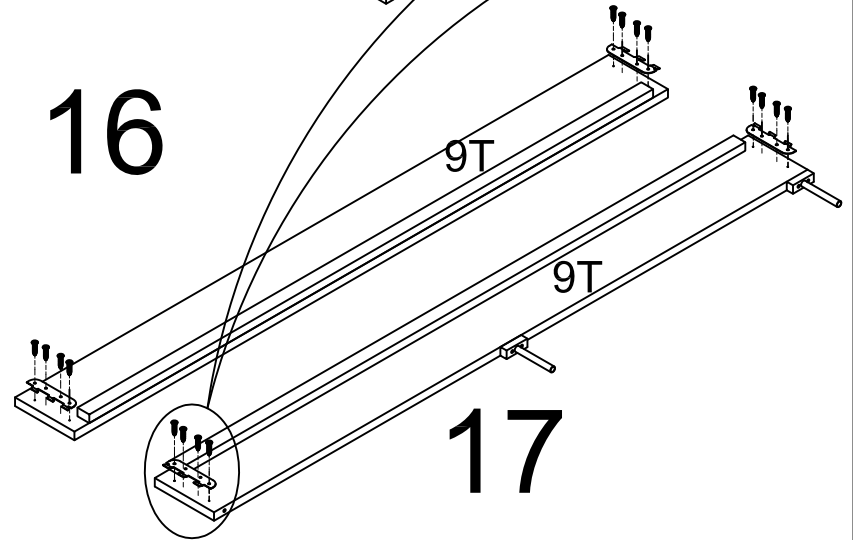
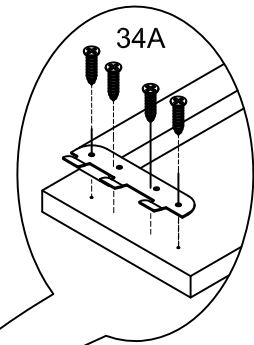
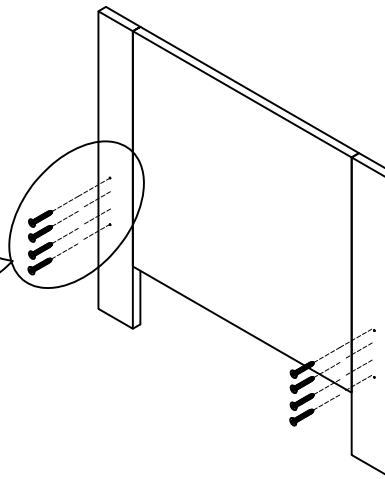
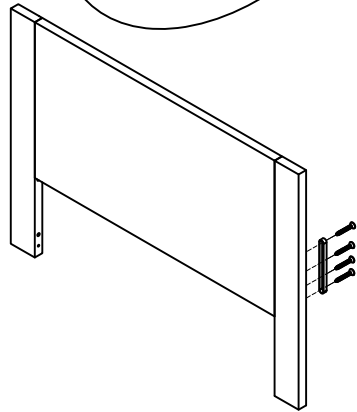
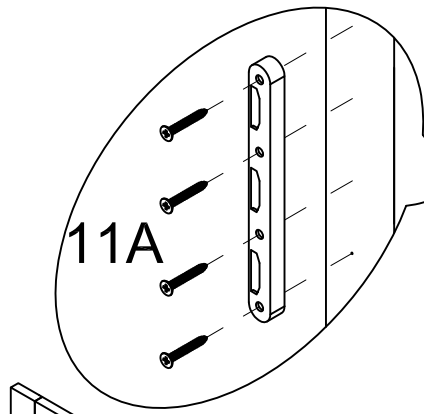
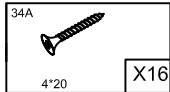
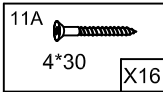
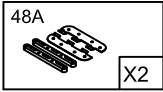
13



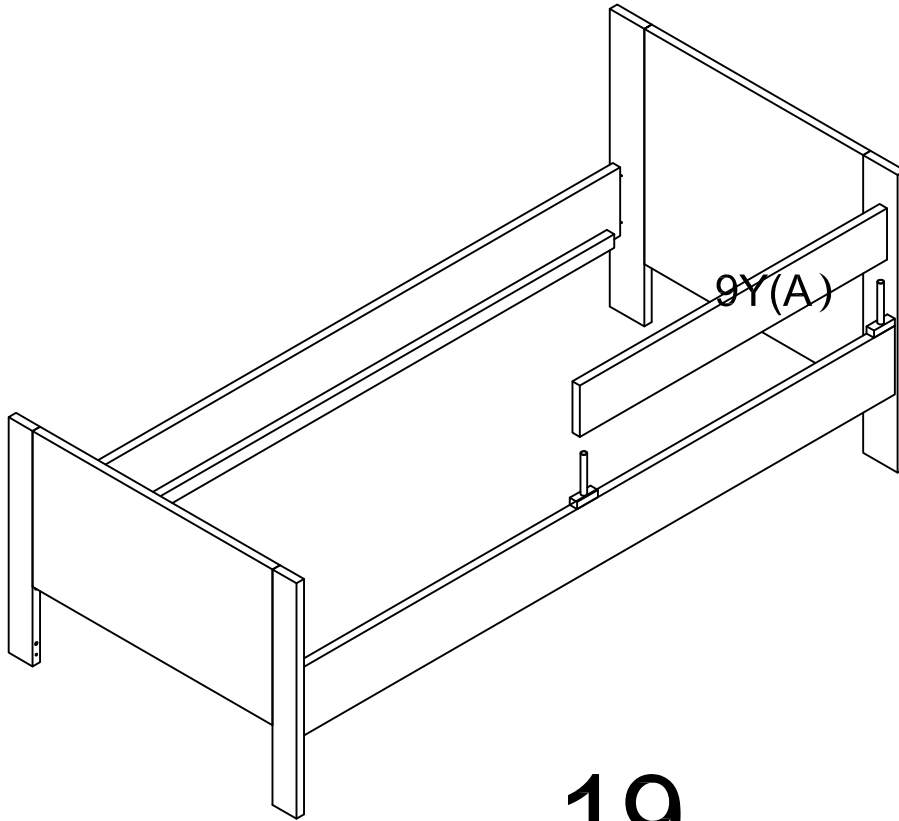
14



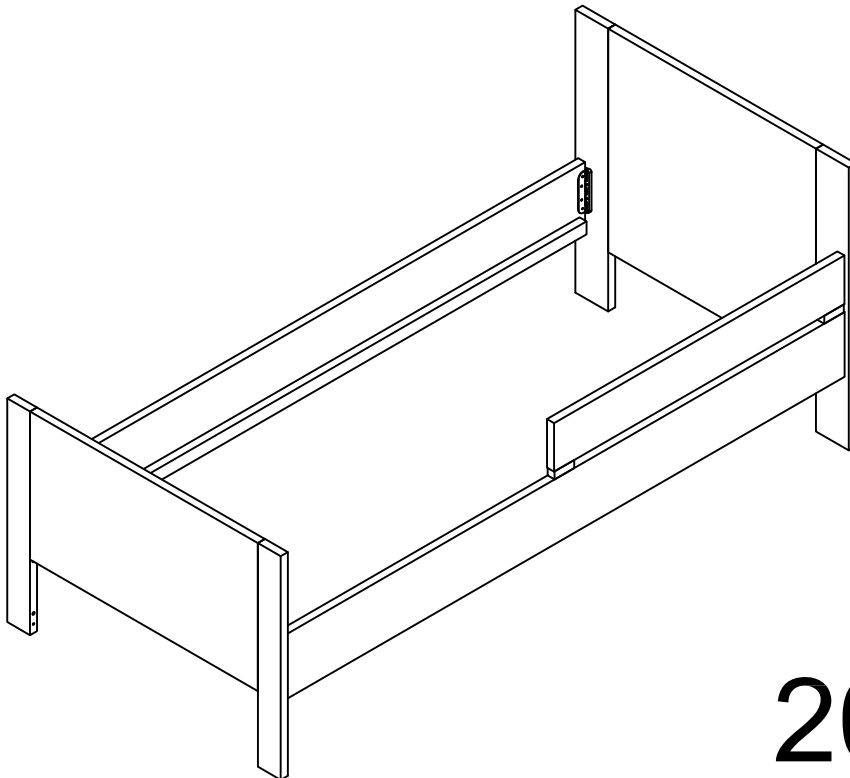
15



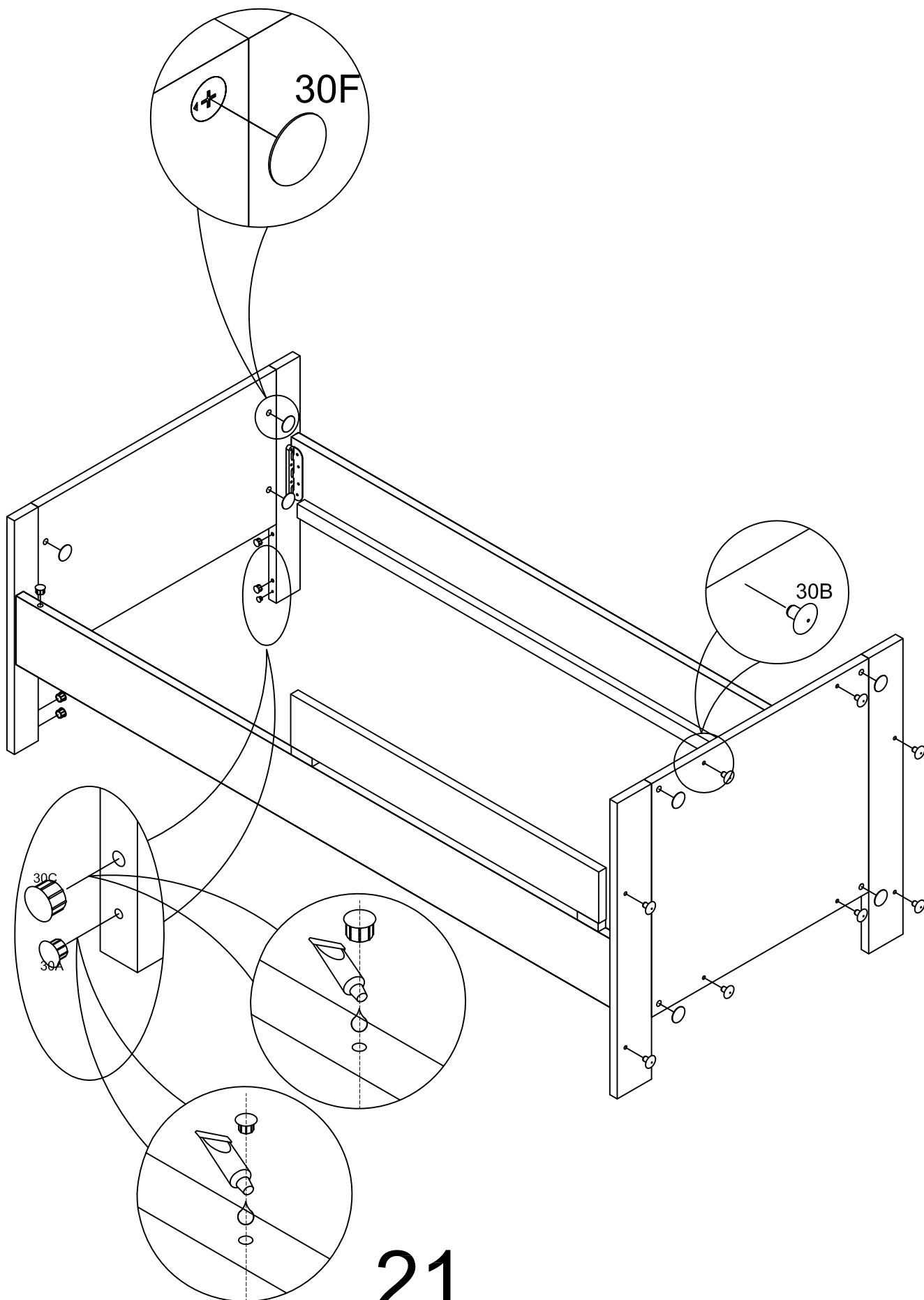
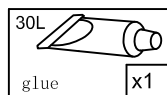
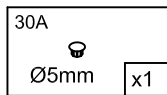
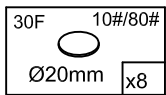
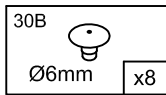
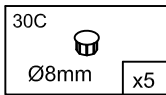
9Y(A)



19



20



21